

J.E. LOVE COMPANY

*Productivity Through Innovation
Since 1932*

LOVE[®]

jeloveco.com

P.O. Box 188, 309 W. California Street, Garfield, WA 99130 Phone: (509) 635-1321 Fax: (509) 635-1434

**M-76 Model Pick-up Reel
Specific Model
Drive & Attaching Kits
(DA)**



**SPECIFIC MODEL
DRIVE & ATTACHING KITS (DA----)**

DRIVE & ATTACHING KITS ARE COMPOSED OF THE SPECIAL COMPONENTS REQUIRED TO DRIVE AND ATTACH THE LOVE PICKUP REEL TO THE SPECIFIC MAKE & MODEL OF COMBINE OR SWATHER, AND IN SOME CASES ANY OTHER SPECIAL SPECIFICATION.

DRIVE & ATTACHING KIT NUMBERS ARE IDENTIFIED BY NUMBER ON THE REEL SPECIFICATION PAGES OF THIS MANUAL. PLEASE CONTACT J. E. LOVE CO. FOR ADDITIONAL INFORMATION IF THE MAKE AND MODEL OF COMBINE OR SWATHER IS NOT LISTED.

PARTS ILLUSTRATION WILL BE PROVIDED FOR SPECIFIC DA KITS WITH LOVE PICKUP REEL ORDERS AND UPON REQUEST. THESE PAGES MAY BE INSERTED IN THIS MANUAL IN SECTION D.

LOVE PICKUP REELS
SPECIFIC MODEL DRIVE AND ATTACHING PARTS

AGCO

SERIES 2 HEADERS	257R-
SERIES 3 HEADERS	260R-
400 SERIES HEADERS.....	254R-

CASE/IH

810 & 820 HEADERS (1979 & LATER).....	258R-
1010 & 1020 HEADERS (LOVE REEL SERIAL NO. G06059 & PRIOR)	259R-
1010 & 1020 HEADERS (LOVE REEL SERIAL NO. G06060 & LATER)	253R-
1010 & 1020 HEADERS (PIN JJC0200001 & AFTER, LOVE REEL SERIAL NO. G06060 & LATER).....	269R-
4000 & 5000 SWATHER DRAPER HEADER.....	268R-

JOHN DEERE

200 SERIES HEADERS (EQUIPPED WITH JD FLATBAT DRIVE).....	262R-
200 SERIES HEADERS (EQUIPPED WITH JD PICKUP REEL DRIVE)	261R-
900 SERIES HEADERS (LOVE REEL SERIAL NO. G06059 & PRIOR)	256R-
900 SERIES HEADERS (LOVE REEL SERIAL NO. G06060 & LATER)	255R-

J.E. LOVE CO.

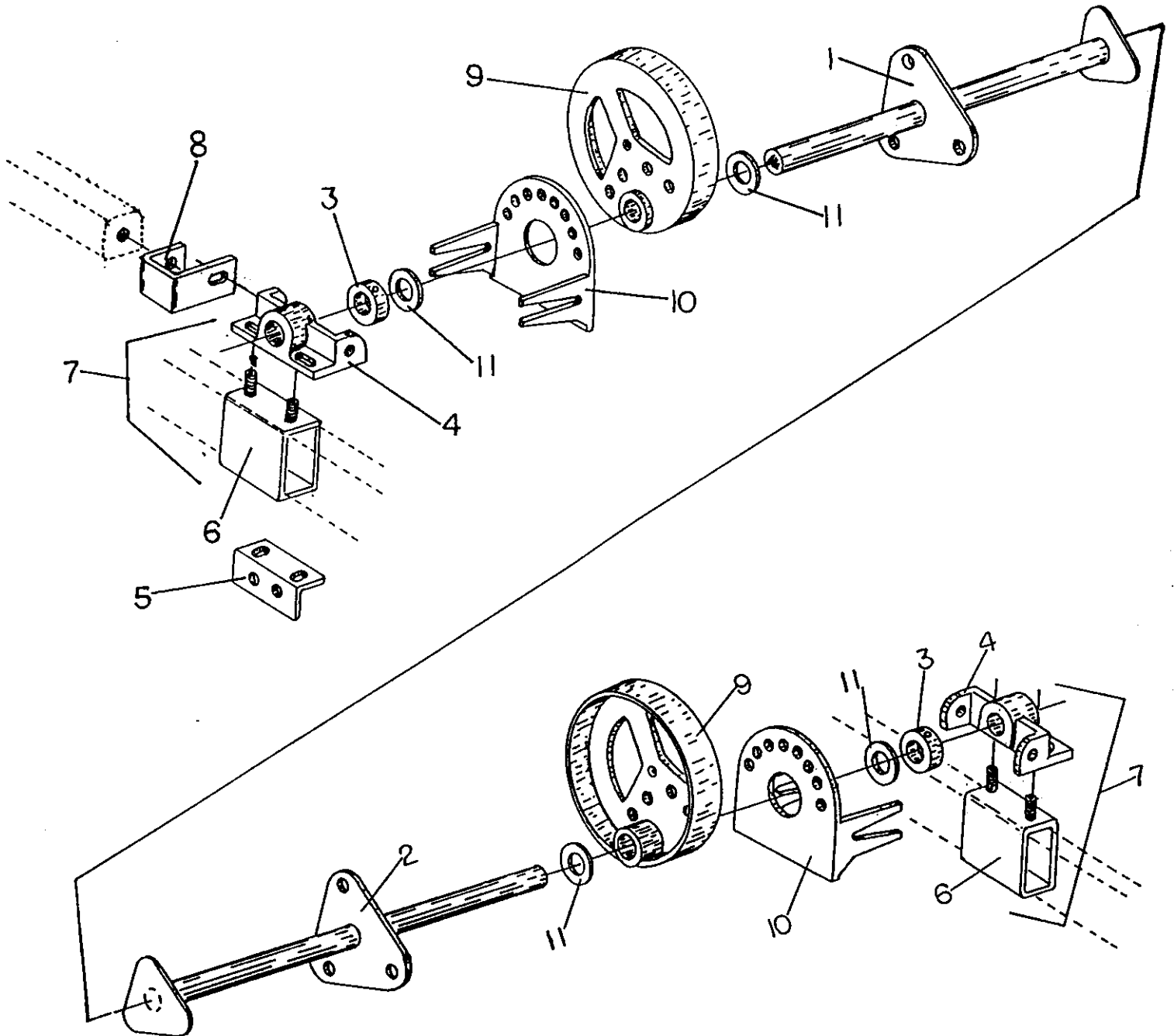
309 CALIFORNIA STREET
GARFIELD, WASHINGTON 99130-0188
(509)635-1321 FAX: (509)635-1434

SPECIFIC MODEL DRIVE AND ATTACHING PARTS AGCO SERIES 2 HEADERS DA8074 & DA9001

(NOTE: RH=RIGHT HAND, LH=LEFT HAND)

HEADER LENGTH, FEET	NUMBER BATS	REEL PACKAGE	SPIDER BUNDLE	DRIVE & ATTACHING KIT	DRIVE END RH OR LH
AGCO (GLENER/DEUTZ ALLIS)					
MODELS: L2, L3, M, M2, M3, MH, MH2, MH3, NS, N6, N7. <u>W/SERIES 2 HEADERS</u>					
13	5	M5-147(--)	M5-5-41	DA8074	RH
	6	M6-147(--)	M6-5-41	DA8074	RH
15	5	M5-170(--)	M5-6-41	DA8074	RH
	6	M6-170(--)	M6-6-41	DA8074	RH
16	5	M5-182(--)	M5-6-41	DA8074	RH
	6	M6-182(--)	M6-6-41	DA8074	RH
18	5	M5-206(--)	M5-6-41	DA8074	RH
	6	M6-206(--)	M6-6-41	DA8074	RH
20	5	M5-230(--)	M5-6-41	DA8074	RH
	6	M6-230(--)	M6-6-41	DA8074	RH
22	5	M5-255(--)	M5-7-41	DA9001	RH
	6	M6-255(--)	M6-7-41	DA9001	RH
24	5	M5-279(--)	M5-7-41	DA9001	RH
	6	M6-279(--)	M6-7-41	DA9001	RH

SPECIFIC MODEL DRIVE AND ATTACHING PARTS
AGCO SERIES 2 HEADERS
DA8074 & DA9001



**SPECIFIC MODEL DRIVE AND ATTACHING PARTS
AGCO SERIES 2 HEADERS
DA8074 & DA9001**

KEY	PART NO.	DESCRIPTION
1	H3156A	SHAFT, DRIVE END 6" DIA. CENTER TUBE
	H60201	SHAFT, DRIVE END 8" DIA. CENTER TUBE
2	H3240	SHAFT, ECCENTRIC END, 6" DIA. CENTER TUBE
	H60210	SHAFT, ECCENTRIC END 8" DIA. CENTER TUBE
3	H3300	SET COLLAR 1-5/16"
	H3302	SET COLLAR 1-1/2"
4	H3317	END BEARING 1-5/16"
	H3382	END BEARING 1-1/2"
5	H3357	CARRIER ARM BRACKET - ANGLE (OPTIONAL)
6	H3366	BRACKET, CARRIER ARM, BOX TYPE
7	H3368	END BEARING ASSEMBLY 1-5/16"
	H3401	END BEARING ASSEMBLY 1-1/2"
8	H3471	DRIVE ATTACHMENT, BRACKET
9	H7020	ECCENTRIC 1-5/16"
	H7035	ECCENTRIC 1-1/2"
10	H7021	PLATE, PITCH CONTROL
11	X3D22515-2	MACHINERY BUSHING 1-1/2" I.D.
	X3D25013-2	MACHINERY BUSHING 1-3/8" I.D.

J.E. LOVE CO.

309 CALIFORNIA STREET
GARFIELD, WASHINGTON 99130-0188
(509)635-1321 FAX: (509)635-1434

SPECIFIC MODEL DRIVE AND ATTACHING PARTS AGCO SERIES 3 HEADERS DA8523, DA9512, & DA9754

NOTE: THERE ARE 2 VARIATIONS OF DRIVE AND ATTACHING PARTS
A. PRIOR TO 1991
B. 1991 & LATER

(NOTE: RH=RIGHT HAND, LH=LEFT HAND)

HEADER LENGTH, FEET	NUMBER BATS	REEL PACKAGE	SPIDER BUNDLE	DRIVE & ATTACHING KIT	DRIVE END RH OR LH
---------------------------	----------------	-----------------	------------------	--------------------------	-----------------------

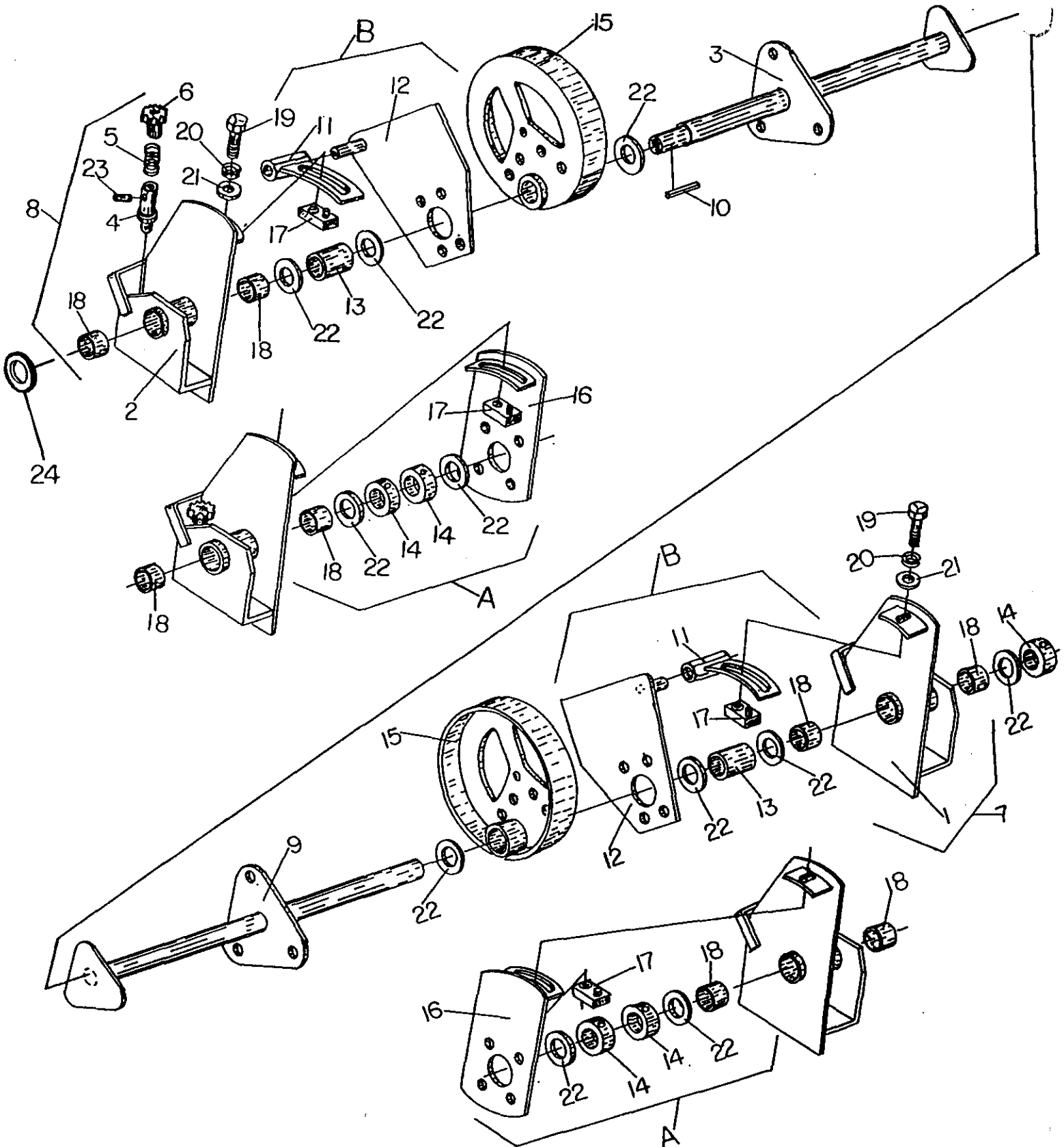
AGCO (GLEANER/DEUTZ ALLIS)

MODELS: L3, M3, MH3, N5, N6, N7, R40, R450, R460 & R70 W/SERIES 3 HEADERS

15	5	M5-170(--)	M5-6-41	DA8523	RH
	6	M6-170(--)	M6-6-41	DA8523	RH
16	5	M5-182(--)	M5-6-41	DA8523	RH
	6	M6-182(--)	M6-6-41	DA8523	RH
18	5	M5-206(--)	M5-6-41	DA8523	RH
	6	M6-206(--)	M6-6-41	DA8523	RH
20	5	M5-230(--)	M5-6-41	DA8523	RH
	6	M6-230(--)	M6-6-41	DA8523	RH
22	5	M5-255(--)	M5-7-41	DA9512	RH
	6	M6-255(--)	M6-7-41	DA9512	RH
24	5	M5-279(--)	M5-7-41	DA9512	RH
	6	M6-279(--)	M6-7-41	DA9512	RH
27	5	M5-315(--)	M5-7-41	DA9754	RH
	6	M6-315(--)	M6-7-41	DA9754	RH
30	5	M5-351(--)	M5-7-41	DA9754	RH
	6	M6-351(--)	M6-7-41	DA9754	RH

260R-5/94-JEL

SPECIFIC MODEL DRIVE AND ATTACHING PARTS
AGCO SERIES 3 HEADERS
DA8523, DA9512, & DA9754



SPECIFIC MODEL DRIVE AND ATTACHING PARTS

AGCO SERIES 3 HEADERS

DA8523, DA9512, & DA9754

KEY	PART NO.	DESCRIPTION
1	H460	REEL SUPPORT W/BEARING, LH
2	H461	REEL SUPPORT W/BEARING, RH
3	H462	SHAFT, DRIVE END 6" DIA. CENTER TUBE
	H467	SHAFT, DRIVE END 8" DIA. CENTER TUBE
	H468	SHAFT, DRIVE END 10" DIA. CENTER TUBE
4	H464	LATCH PIN
5	H465	SPRING
6	H466	KNOB
7	H469	REEL SUPPORT ASSEMBLY, LH
8	H470	REEL SUPPORT ASSEMBLY, RH
9	H471	SHAFT, ECCENTRIC END 10" DIA. CENTER TUBE
	H3252	SHAFT, ECCENTRIC END 6" DIA. CENTER TUBE
	H60210	SHAFT, ECCENTRIC END 8" DIA. CENTER TUBE
10	H475	KEY, 5/16" X 1.73"
11	H482	ARM, PITCH CONTROL
12	H483	PLATE, PITCH CONTROL
13	H453	SPACER, 1.50 BORE X 2.38 - 8" & 10" CENTER
	H455	SPACER, 1.50 BORE X 3.13 - 6" CENTER
14	H3302	SET COLLAR, 1-1/2"
15	H7035	ECCENTRIC, 1-1/2"
16	HH458	PLATE, PITCH CONTROL
17	HH459	LOCK BLOCK
18	HH1505	BUSHING, 1-1/2"
19	X2A0500150	CAPSCREW, 1/2-13 UNC X1-1/2"
20	X3B050	LOCKWASHER, 1/2"
21	X3C050	FLATWASHER, 1/2"
22	X3D22515-2	MACHINERY BUSHING, 1-1/2" I.D.
23	X3G188-150	SPRING PIN
24	X3D25013-2	MACHINERY BUSHING, 1'-3/8" I.D.

260R-4/96-JEL

J.E. LOVE CO.

309 CALIFORNIA STREET
GARFIELD, WASHINGTON 99130-0188
(509)635-1321 FAX: (509)635-1434

SPECIFIC MODEL DRIVE AND ATTACHING PARTS AGCO 400 SERIES HEADER DA8537, DA9527 & DA9766

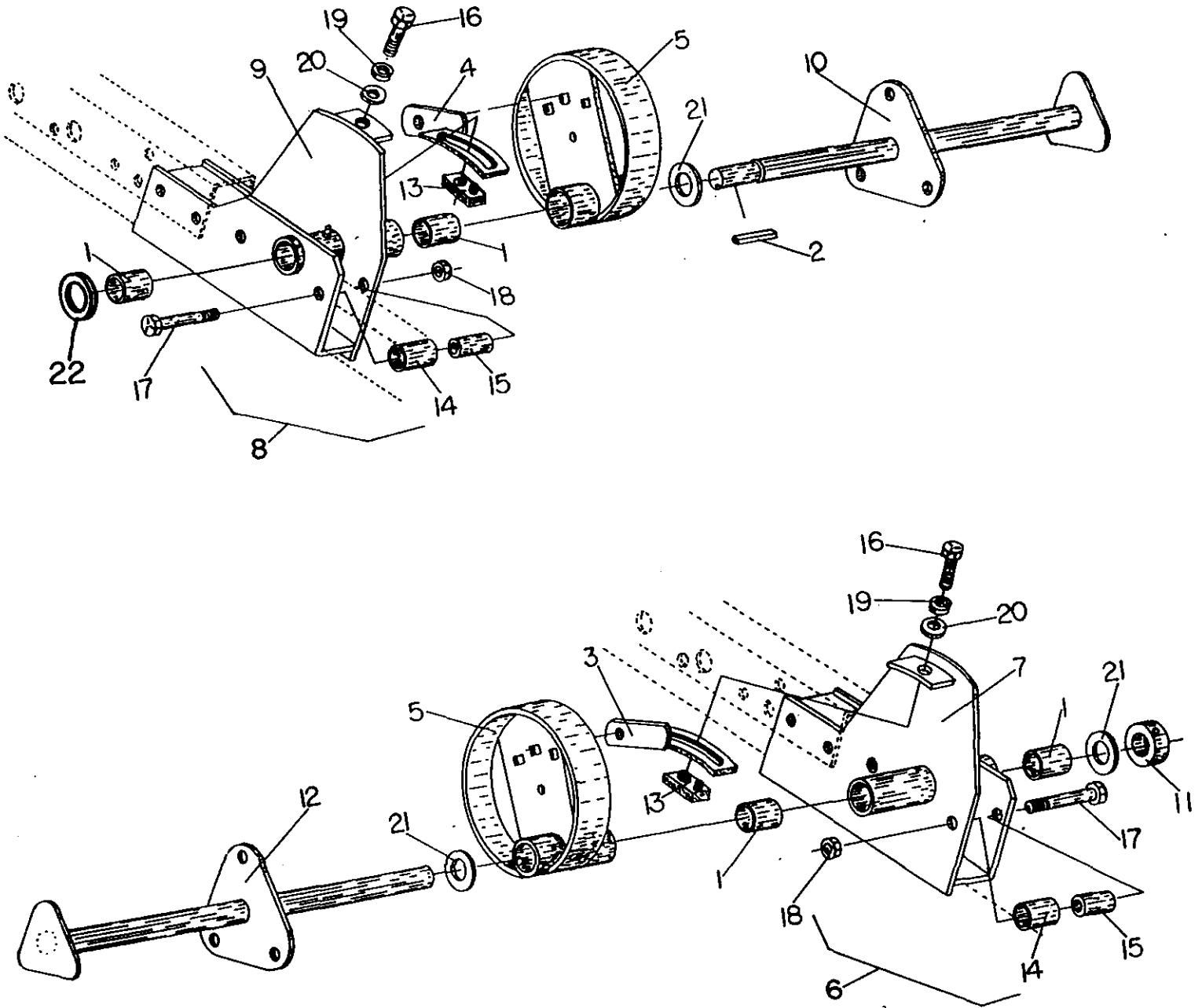
AGCO 400 SERIES HEADER

(NOTE: RH=RIGHT HAND, LH=LEFT HAND)

HEADER LENGTH, FEET	NUMBER BATS	REEL PACKAGE	SPIDER BUNDLE	DRIVE & ATTACHING KIT	DRIVE END RH OR LH
15	5	M5-170(--)	M5-6-41	DA8537	RH
	6	M6-170(--)	M6-6-41	DA8537	RH
16	5	M5-182(--)	M5-6-41	DA8537	RH
	6	M6-182(--)	M6-6-41	DA8537	RH
18	5	M5-206(--)	M5-6-41	DA8537	RH
	6	M6-206(--)	M6-6-41	DA8537	RH
20	5	M5-230(--)	M5-6-41	DA8537	RH
	6	M6-230(--)	M6-6-41	DA8537	RH
22	5	M5-255(--)	M5-7-41	DA9527	RH
	6	M6-255(--)	M6-7-41	DA9527	RH
25	5	M5-291(--)	M5-7-41	DA9527	RH
	6	M6-291(--)	M6-7-41	DA9527	RH
27	5	M5-315(--)	M5-7-41	DA9766	RH
	6	M6-315(--)	M6-7-41	DA9766	RH
30	5	M5-351(--)	M5-7-41	DA9766	RH
	6	M6-351(--)	M6-7-41	DA9766	RH

254R-4/94-JEL

SPECIFIC MODEL DRIVE AND ATTACHING PARTS
AGCO 400 SERIES HEADER
DA8537, DA9527 & DA9766



254R-4/94-JEL

SPECIFIC MODEL DRIVE AND ATTACHING PARTS
AGCO 400 SERIES HEADER
DA8537, DA9527 & DA9766

KEY	PART NUMBER	DESCRIPTION
1	H272	Bearing, Bronze
2	H475	Key, 5/16" x 1.73" Sq.
3	H489	Arm, Pitch Control LH
4	H490	Arm, Pitch Control RH
5	H491	Eccentric
6	H632	Assembly, Reel Support LH
7	H633	Support, Reel LH
8	H634	Assembly, Reel Support RH
9	H635	Support, Reel RH
10	H636	Shaft, Drive End 8" DIA Center Tube
	H637	Shaft, Drive End 10" DIA Center Tube
	H638	Shaft, Drive End 6" DIA Center Tube
11	H3399	Set Collar - 1-9/16"
12	HH446	Shaft, Eccentric End 6" DIA Center Tube
	HH447	Shaft, Eccentric End 8" DIA Center Tube
	HH448	Shaft, Eccentric End 10" DIA Center Tube
13	HH459	Lock Block
14	HH470	Roller, Reel Support
15	HH471	Spacer, Reel Support
16	X2A0500150	Capscrew, 1/2"-13 unc x 1-1/2"
17	X2A0500325	Capscrew, 1/2"-13 unc x 3-1/4"
18	X2E050-NF2	Nut, 1/2"-13 unc., No Flange Side Lock
19	X3B050	Lock Washer, 1/2"
20	X3C050	Flat Washer, 1/2"
21	X3D237016-2	Machine Bushing, 1-5/8" I.D. (3)
22	X3D25013-2	Machine Bushing, 1-3/8" I.D.

J.E. LOVE CO.

309 CALIFORNIA STREET
GARFIELD, WASHINGTON 99130-0188
(509)635-1321 FAX: (509)635-1434

SPECIFIC MODEL DRIVE AND ATTACHING PARTS CASE/IH 810 & 820 HEADERS (1979 & LATER) DA8524, DA9511 & DA9755

NOTE: THERE ARE 2 VARIATIONS OF DRIVE AND ATTACHING PARTS.

A. PRIOR TO 1991

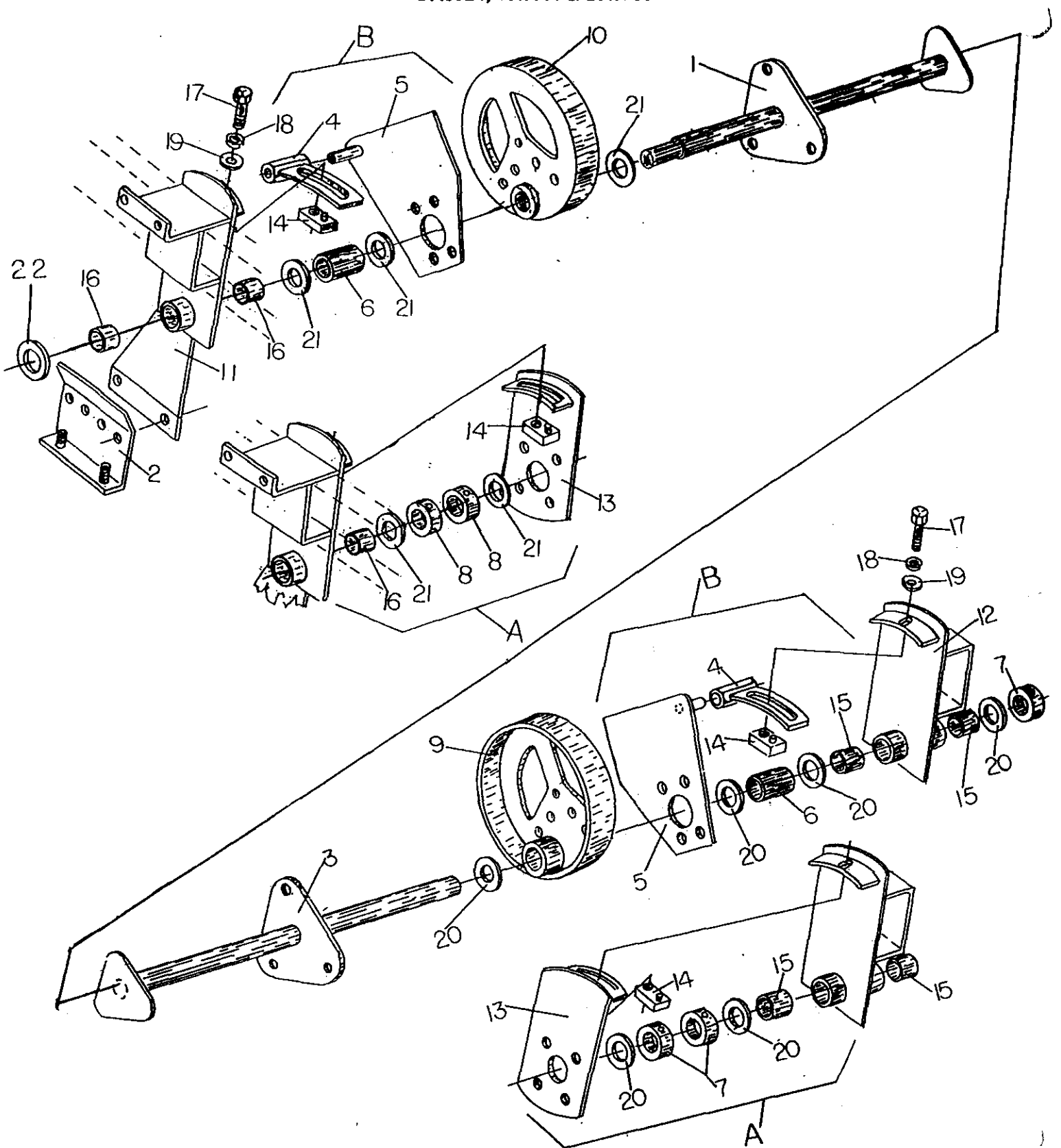
B: 1991 & LATER

CASE/IH

(NOTE: RH=RIGHT HAND, LH=LEFT HAND)

HEADER LENGTH, FEET	NUMBER BATS	REEL PACKAGE	SPIDER BUNDLE	DRIVE & ATTACHING KIT	DRIVE END RH OR LH
MODELS 1420, 1440, 1460, 1470 & 1480 <u>W/810 & 820 HEADERS</u> (1979 & LATER)					
13	5	M5-144(--)	M5-5-41	DA8524	RH
	6	M6-144(--)	M6-5-41	DA8524	RH
15	5	M5-170(--)	M5-6-41	DA8524	RH
	6	M6-170(--)	M6-6-41	DA8524	RH
16½	5	M5-188(--)	M5-6-41	DA8524	RH
	6	M6-188(--)	M6-6-41	DA8524	RH
17½	5	M5-200(--)	M5-6-41	DA8524	RH
	6	M6-200(--)	M6-6-41	DA8524	RH
20	5	M5-230(--)	M5-6-41	DA8524	RH
	6	M6-230(--)	M6-6-41	DA8524	RH
22½	5	M5-258(--)	M5-7-41	DA9511	RH
	6	M6-258(--)	M6-7-41	DA9511	RH
24	5	M5-276(--)	M5-7-41	DA9511	RH
	6	M6-276(--)	M6-7-41	DA9511	RH
30	5	M5-348(--)	M5-7-41	DA9755	RH
	6	M6-348(--)	M6-7-41	DA9755	RH

SPECIFIC MODEL DRIVE AND ATTACHING PARTS
CASE/IH 810 & 820 HEADERS (1979 & LATER)
DA8524, DA9511 & DA9755



SPECIFIC MODEL DRIVE AND ATTACHING PARTS
CASE/IH 810 & 820 HEADERS (1979 & LATER)
DA8524, DA9511 & DA9755

KEY	PART NO.	DESCRIPTION
1	H422	SHAFT, DRIVE END 8" DIA. CENTER TUBE
	H434	SHAFT, DRIVE END 6" DIA. CENTER TUBE
	HH451	SHAFT, DRIVE END 10" DIA. CENTER TUBE
2	H423	BRACKET, SHIELD
3	H471	SHAFT, ECCENTRIC END 10" DIA. CENTER TUBE
	H3240	SHAFT, ECCENTRIC END 6" DIA. CENTER TUBE
	H60210	SHAFT, ECCENTRIC END 8" DIA. CENTER TUBE
4	H482	ARM, PITCH CONTROL
5	H483	PLATE, PITCH CONTROL
6	H451	SPACER, 1.31 BORE X 1.63" - 6" CENTER ECCENTRIC
	H452	SPACER, 1.69 BORE X 1.63" - 6" CENTER DRIVE
	H453	SPACER, 1.50 BORE X 2.38" - 8" & 10" CENTER ECCENTRIC
	H454	SPACER, 1.69 BORE X 2.38" - 8" & 10" CENTER DRIVE
7	H3300	SET COLLAR, 1-5/16" I.D.
	H3302	SET COLLAR, 1-1/2" I.D.
8	H3363	SET COLLAR 1-11/16 I.D.
	H3399	SET COLLAR, 1-9/16" I.D.
9	H7020	ECCENTRIC, 1-5/16"
	H7035	ECCENTRIC, 1-1/2"
10	H7028	ECCENTRIC, 1-11/16"
	H7061	ECCENTRIC, 1-9/16"
11	HH455	REEL SUPPORT ASSEMBLY, RH
12	HH456	REEL SUPPORT ASSEMBLY, LH 1-1/2"
	HH457	REEL SUPPORT ASSEMBLY, LH 1-5/16"
13	HH458	PLATE, PITCH CONTROL
14	HH459	LOCK BLOCK
15	HH1504	BUSHING - 1-5/16" (INCLUDED IN HH457)
	HH1505	BUSHING - 1-1/2" (INCLUDED IN HH456)
16	HH1506	BUSHING 1-9/16" (INCLUDED IN HH455)
17	X2A0500150	CAPSCREW, 1/2-13 UNC X 1-1/2"
18	X3B050	LOCKWASHER 1/2"
19	X3C050	FLATWASHER 1/2"
20	X3D22515-2	MACHINERY BUSHING, 1-1/2" I.D.
	X3D25013-2	MACHINERY BUSHING, 1-3/8" I.D.
21	X3D25017-2	MACHINERY BUSHING, 1-3/4" I.D.
22	X3D237016-2	MACHINERY BUSHING, 1-5/8" I.D.

J.E. LOVE CO.

309 CALIFORNIA STREET
GARFIELD, WASHINGTON 99130-0188
(509)635-1321 FAX: (509)635-1434

SPECIFIC MODEL DRIVE AND ATTACHING PARTS CASE/IH 1010 & 1020 HEADERS, LOVE SERIAL NO. G06059 & PRIOR DA8527, DA9514, & DA9758

NOTE: THERE ARE 2 VARIATIONS OF DRIVE AND ATTACHING PARTS
A. PRIOR TO 1991
B. 1991 ONLY

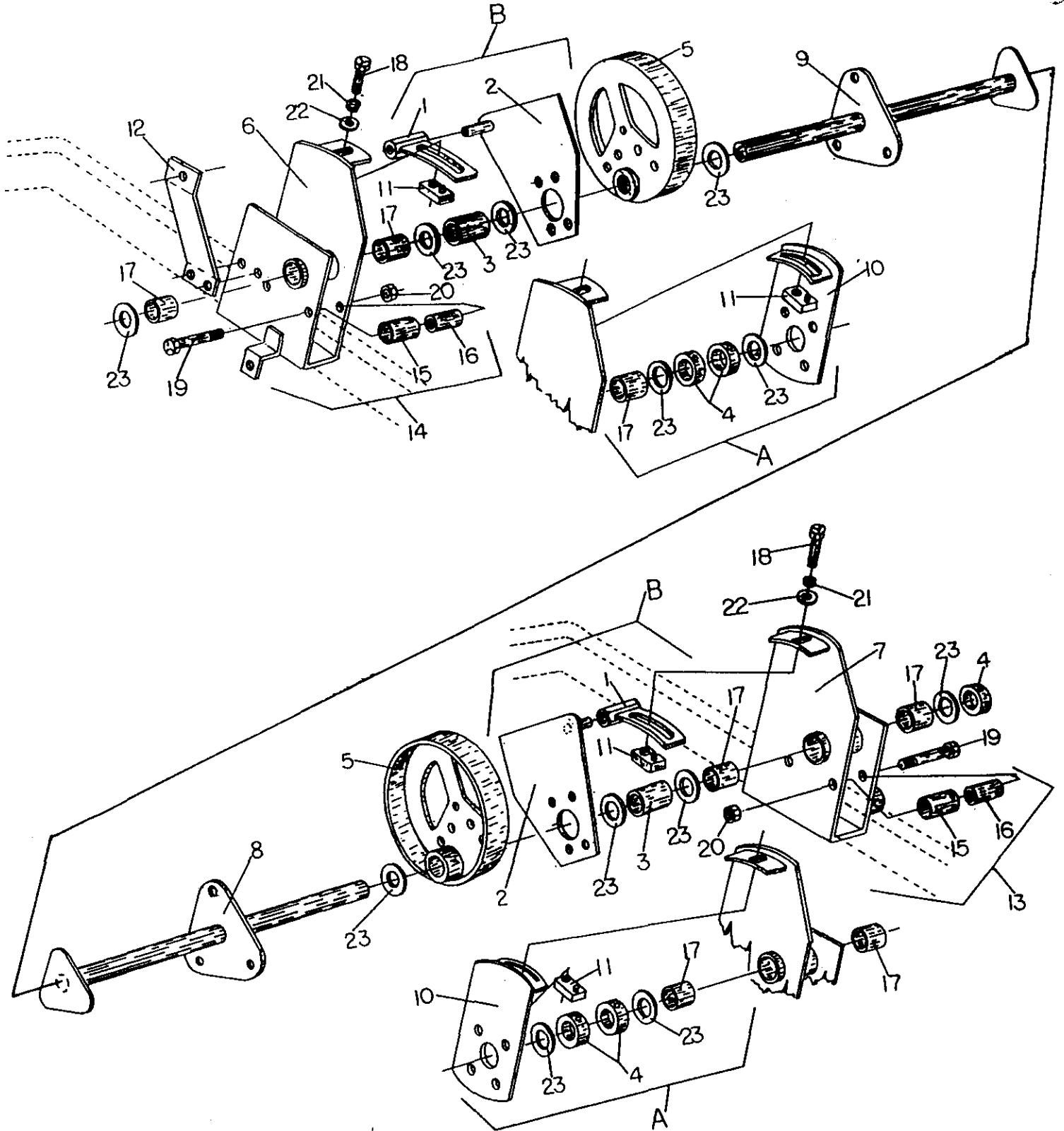
CASE/IH

(NOTE: RH=RIGHT HAND, LH=LEFT HAND)

HEADER LENGTH, FEET	NUMBER BATS	REEL PACKAGE	SPIDER BUNDLE	DRIVE & ATTACHING KIT	DRIVE END RH OR LH
1010 & 1020 SERIES HEADERS (LOVE REEL SERIAL NO. G06059 & PRIOR)					
15	5	M5-171(--)	M5-6-41	DA8527	RH
	6	M6-171(--)	M6-6-41	DA8527	RH
17½	5	M5-201(--)	M5-6-41	DA8527	RH
	6	M6-201(--)	M6-6-41	DA8527	RH
20	5	M5-231(--)	M5-6-41	DA8527	RH
	6	M6-231(--)	M6-6-41	DA8527	RH
22½	5	M5-261(--)	M5-7-41	DA9514	RH
	6	M6-261(--)	M6-7-41	DA9514	RH
25	5	M5-291(--)	M5-7-41	DA9514	RH
	6	M6-291(--)	M6-7-41	DA9514	RH
30	5	M5-351(--)	M5-7-41	DA9758	RH
	6	M6-351(--)	M6-7-41	DA9758	RH

FOR REPAIR PARTS ON DRIVE AND ATTACHING KITS WITH LOVE REEL SERIAL NO. G06060 & LATER, THE FOLLOWING
DA KIT NUMBERS SHOULD BE REQUESTED. 15' THRU 20': DA8532, 22-1/2 THRU 25': DA9519 AND 30': DA9761.

SPECIFIC MODEL DRIVE AND ATTACHING PARTS
CASE/IH 1010 & 1020 HEADERS, LOVE SERIAL NO. G06059 & PRIOR
DA8527, DA9514, & DA9758



SPECIFIC MODEL DRIVE AND ATTACHING PARTS
CASE/IH 1010 & 1020 HEADERS, LOVE SERIAL NO: G06059 & PRIOR
DA8527, DA9514, & DA9758

KEY	PART NO.	DESCRIPTION
1	H482	ARM, PITCH CONTROL
2	H483	PLATE, PITCH CONTROL
3	H486	SPACER (MAY BE USED TO REPLACE H3399)
4	H3399	SET COLLAR, 1-9/16" (MAY USE H486 IN PLACE OF)
5	H7061	ECCENTRIC, 1-9/16"
6	HH443	REEL SUPPORT, RH
7	HH444	REEL SUPPORT, LH
8	HH446	SHAFT, ECCENTRIC END, 6" DIA. CENTER TUBE
	HH447	SHAFT, ECCENTRIC END, 8" DIA. CENTER TUBE
	HH448	SHAFT, ECCENTRIC END, 10" DIA. CENTER TUBE
9	HH449	SHAFT, DRIVE END, 6" DIA. CENTER TUBE
	HH450	SHAFT, DRIVE END, 8" DIA. CENTER TUBE
	HH451	SHAFT, DRIVE END, 10" DIA. CENTER TUBE
10	HH458	PLATE, PITCH CONTROL
11	HH459	LOCK BLOCK
12	HH464	REEL SHIELD BRACE
13	HH468	REEL SUPPORT ASSEMBLY, LH
14	HH469	REEL SUPPORT ASSEMBLY, RH
15	HH470	ROLLER, REEL SUPPORT
16	HH471	SPACER, REEL SUPPORT
17	HH1506	BUSHING, 1-9/16"
18	X2A0500150	CAPSCREW, 1/2-13 UNC X 1-1/2"
19	X2A0550325	CAPSCREW, 1/2-13 UNC X 3-1/4"
20	X2E050-NF2	NUT, 1/2"-13 UNC NO FLANGE SIDELOCK
21	X3B050	LOCKWASHER, 1/2"
22	X3C050	FLATWASHER, 1/2"
23	X3D25017-2	MACHINERY BUSHING, 1-3/4" I.D.

J.E. LOVE CO.

309 CALIFORNIA STREET
GARFIELD, WASHINGTON 99130-0188
(509)635-1321 FAX: (509)635-1434

SPECIFIC MODEL DRIVE AND ATTACHING PARTS CASE/IH 1010 & 1020 HEADERS, LOVE SERIAL NO. G06060 & LATER

DA8532, DA9519 & DA9761

CASE/IH

(NOTE: RH=RIGHT HAND, LH=LEFT HAND)

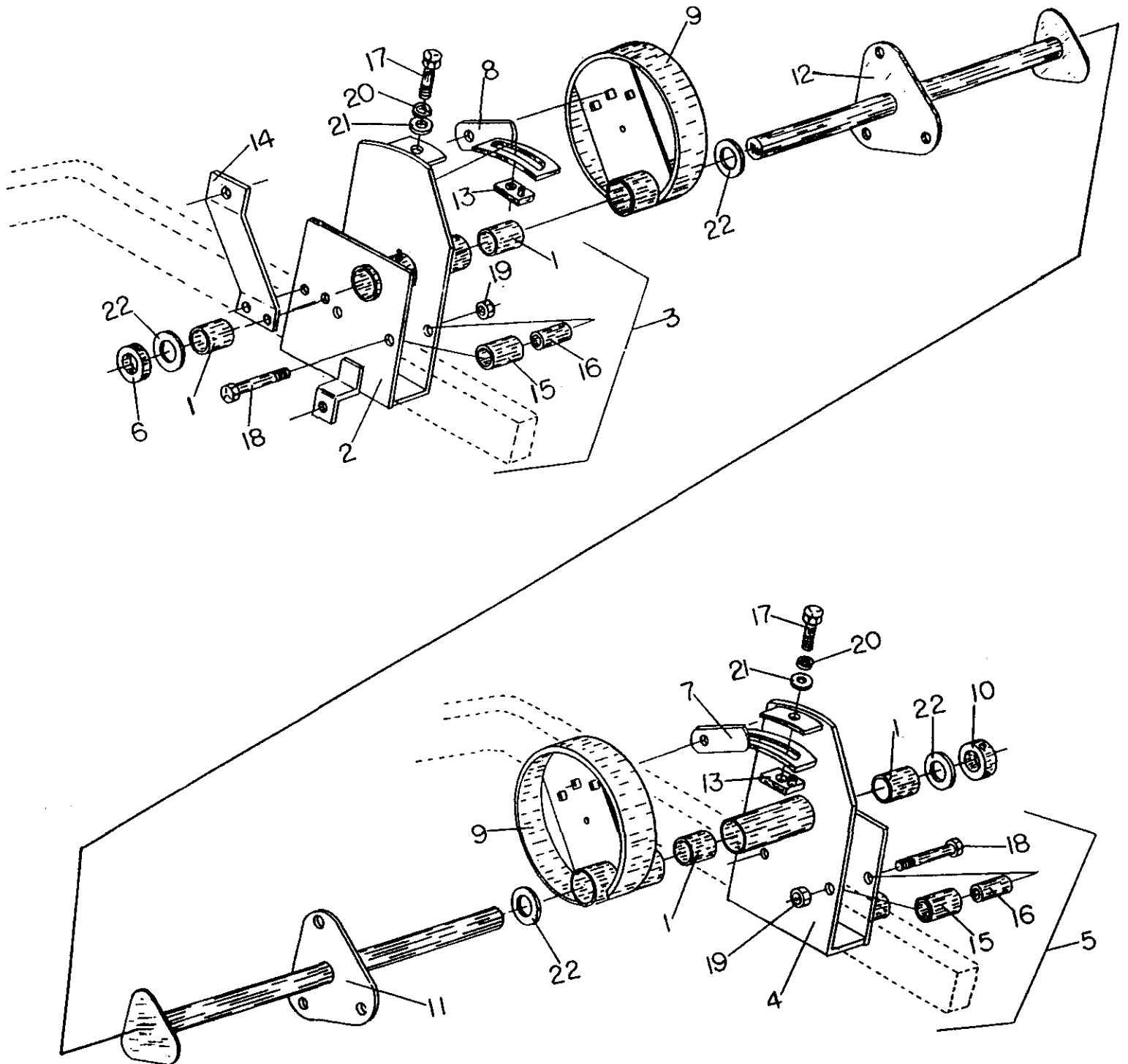
HEADER LENGTH, FEET	NUMBER BATS	REEL PACKAGE	SPIDER BUNDLE	DRIVE & ATTACHING KIT	DRIVE END RH OR LH
15	5	M5-171(--)	M5-6-41	DA8532	RH
	6	M6-171(--)	M6-6-41	DA8532	RH
17½	5	M5-201(--)	M5-6-41	DA8532	RH
	6	M6-201(--)	M6-6-41	DA8532	RH
20	5	M5-231(--)	M5-6-41	DA8532	RH
	6	M6-231(--)	M6-6-41	DA8532	RH
22½	5	M5-261(--)	M5-7-41	DA9519	RH
	6	M6-261(--)	M6-7-41	DA9519	RH
25	5	M5-291(--)	M5-7-41	DA9519	RH
	6	M6-291(--)	M6-7-41	DA9519	RH
30	5	M5-351(--)	M5-7-41	DA9761	RH
	6	M6-351(--)	M6-7-41	DA9761	RH

FOR REPAIR PARTS ON DRIVE AND ATTACHING KITS WITH LOVE REEL SERIAL NO. G06059 & PRIOR, THE FOLLOWING DA KIT NUMBERS SHOULD BE REQUESTED. 15' THRU 20': DA8527, 22-1/2 THRU 25': DA9514 AND 30': DA9758.

253R-4/94-JEL

SPECIFIC MODEL DRIVE AND ATTACHING PARTS

CASE/IH 1010 & 1020 HEADERS, LOVE SERIAL NO. G06060 & LATER
DA8532, DA9519, & DA9761



253R-4/94-JEL

SPECIFIC MODEL DRIVE AND ATTACHING PARTS

CASE/IH 1010 & 1020 HEADERS, LOVE SERIAL NO. G06060 & LATER
DA8532, DA9519, & DA9761

KEY	PART NO.	DESCRIPTION
1	H272	BEARING, BRONZE
2	H276	SUPPORT, REEL - RH
3	H277	ASSEMBLY, REEL SUPPORT - RH
4	H278	SUPPORT, REEL LH
5	H279	ASSEMBLY, REEL SUPPORT - LH
6	H280	SPACER
7	H489	ARM, PITCH CONTROL - LH
8	H490	ARM, PITCH CONTROL - RH
9	H491	ECCENTRIC
10	H3399	SET COLLAR, 1-9/16"
11	HH446	SHAFT, ECCENTRIC END, 6" DIA. CENTER TUBE
	HH447	SHAFT, ECCENTRIC END, 8" DIA. CENTER TUBE
	HH448	SHAFT, ECCENTRIC END, 10" DIA. CENTER TUBE
12	HH449	SHAFT, DRIVE END, 6" DIA. CENTER TUBE
	HH450	SHAFT, DRIVE END, 8" DIA. CENTER TUBE
	HH451	SHAFT, DRIVE END, 10" DIA. CENTER TUBE
13	HH459	LOCK BLOCK
14	HH464	REEL SHIELD BRACE
15	HH470	ROLLER, REEL SUPPORT
16	HH471	SPACER, REEL SUPPORT
17	X2A0500150	CAPSCREW, 1/2-13 UNC X 1-1/2"
18	X2A0500325	CAPSCREW, 1/2-13 UNC X 3-1/4"
19	X2E050-NF2	NUT, 1/2-13 UNC NO FLANGE SIDELOCK
20	X3B050	LOCKWASHER, 1/2"
21	X3C050	FLATWASHER, 1/2"
22	X3D237016-2	MACHINERY BUSHING, 1-5/8" I.D.

J.E. LOVE CO.

309 CALIFORNIA STREET
GARFIELD, WASHINGTON 99130-0188
(509)635-1321 FAX: (509)635-1434

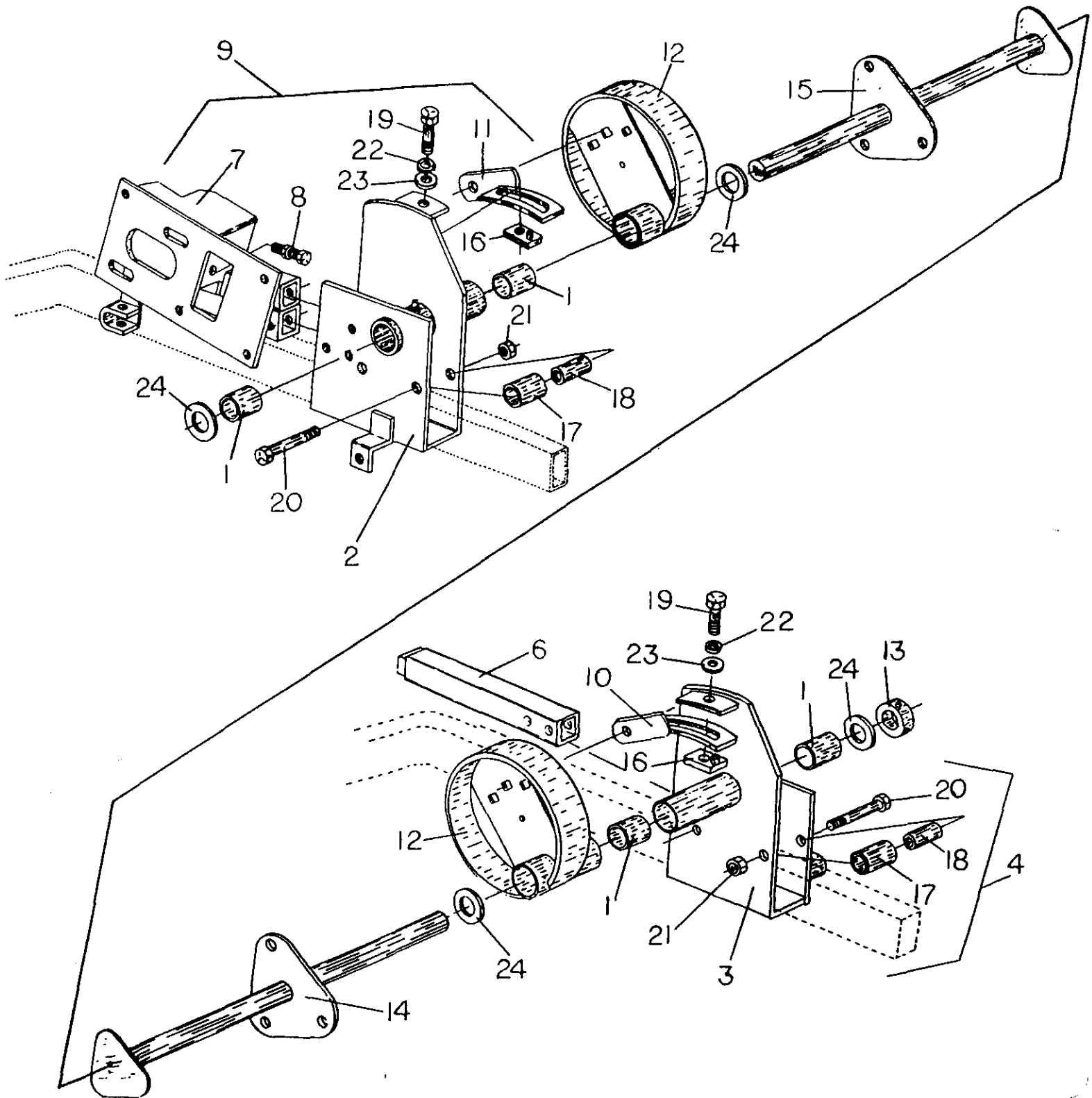
**SPECIFIC MODEL DRIVE AND ATTACHING PARTS
CASE/IH 1010 & 1020 HEADERS, P.I.N. JJC0200001 & AFTER
LOVE REEL SERIAL NO. G06060 & LATER
DA8538, DA9528 & DA9767**

CASE/IH

(NOTE: RH=RIGHT HAND, LH=LEFT HAND)

HEADER LENGTH, FEET	NUMBER BATS	REEL PACKAGE	SPIDER BUNDLE	DRIVE & ATTACHING KIT	DRIVE END RH OR LH
1010 & 1020 HEADERS, P.I.N. JJC0200001 & AFTER					
15	5	M5-171(--)	M5-6-41	DA8538	RH
	6	M6-171(--)	M6-6-41	DA8538	RH
17½	5	M5-201(--)	M5-6-41	DA8538	RH
	6	M6-201(--)	M6-6-41	DA8538	RH
20	5	M5-231(--)	M5-6-41	DA8538	RH
	6	M6-231(--)	M6-6-41	DA8538	RH
22½	5	M5-261(--)	M5-7-41	DA9528	RH
	6	M6-261(--)	M6-7-41	DA9528	RH
25	5	M5-291(--)	M5-7-41	DA9528	RH
	6	M6-291(--)	M6-7-41	DA9528	RH
30	5	M5-351(--)	M5-7-41	DA9767	RH
	6	M6-351(--)	M6-7-41	DA9767	RH

**SPECIFIC MODEL DRIVE AND ATTACHING PARTS
CASE/IH 1010 & 1020 HEADERS, P.I.N. JJC0200001 & AFTER
LOVE REEL SERIAL NO. G06060 & LATER
DA8538, DA9528 & DA9767**



269R-6/95-JEL

**SPECIFIC MODEL DRIVE AND ATTACHING PARTS
CASE/IH 1010 & 1020 HEADERS, P.I.N. JJC0200001 & AFTER
LOVE REEL SERIAL NO. G06060 & LATER
DA8538, DA9528 & DA9767**

<u>KEY</u>	<u>PART NO.</u>	<u>DESCRIPTION</u>
1	H272	BEARING, BRONZE
2	H276	SUPPORT, REEL - RH
3	H278	SUPPORT, REEL - LH
4	H279	ASSEMBLY, REEL SUPPORT - LH
6	H456	ADJUSTER, FORE & AFT. - LH [(A) MANUAL FORE & AFT ONLY]
7	H457	MOUNT, SHIELD AND HYD. MOTOR - RH
8	H458	CAPSCREW, 3/4-10 X 3" FULL THREAD, ADJ.
9	H459	ASSEMBLY, REEL SUPPORT - RH
10	H489	ARM, PITCH CONTROL - LH
11	H490	ARM, PITCH CONTROL - RH
12	H491	ECCENTRIC
13	H3399	SET COLLAR, 1-9/16"
14	HH446	SHAFT, ECCENTRIC END, 6" DIA. CENTER TUBE
	HH447	SHAFT, ECCENTRIC END, 8" DIA. CENTER TUBE
	HH448	SHAFT, ECCENTRIC END, 10" DIA. CENTER TUBE
15	H296	SHAFT, DRIVE END, 6" DIA CENTER TUBE
	H295	SHAFT, DRIVE END, 8" DIA. CENTER TUBE
	H294	SHAFT, DRIVE END, 10" DIA. CENTER TUBE
16	HH459	LOCK BLOCK
17	HH470	ROLLER, REEL SUPPORT
18	HH471	SPACER, REEL SUPPORT
19	X2A0500150	CAPSCREW, 1/2-13 UNC X 1-1/2"
20	X2A0500325	CAPSCREW, 1/2-13 UNC X 3-1/4"
21	X2E050-NF2	NUT, 1/2-13 UNC NO FLANGE SIDELOCK
22	X3B050	LOCKWASHER, 1/2"
23	X3C050	FLATWASHER, 1/2"
24	X3D237016-2	MACHINERY BUSHING, 1-5/8" I.D.
(A)	NOT INCLUDED IN DA KITS. IF MANUAL (SCREW TYPE) FORE & AFT REEL POSITION IS USED, ORDER 1 EA. H456.	

269R-4/97-JEL

J. E. LOVE CO.

309 CALIFORNIA STREET
GARFIELD, WASHINGTON 99130-0188
(509)635-1321 FAX:(509)635-1434

SPECIFIC MODEL DRIVE AND ATTACHING PARTS CASE/IH 4000 & 5000 SWATHER DRAPER HEADERS DA8088 & DA9013

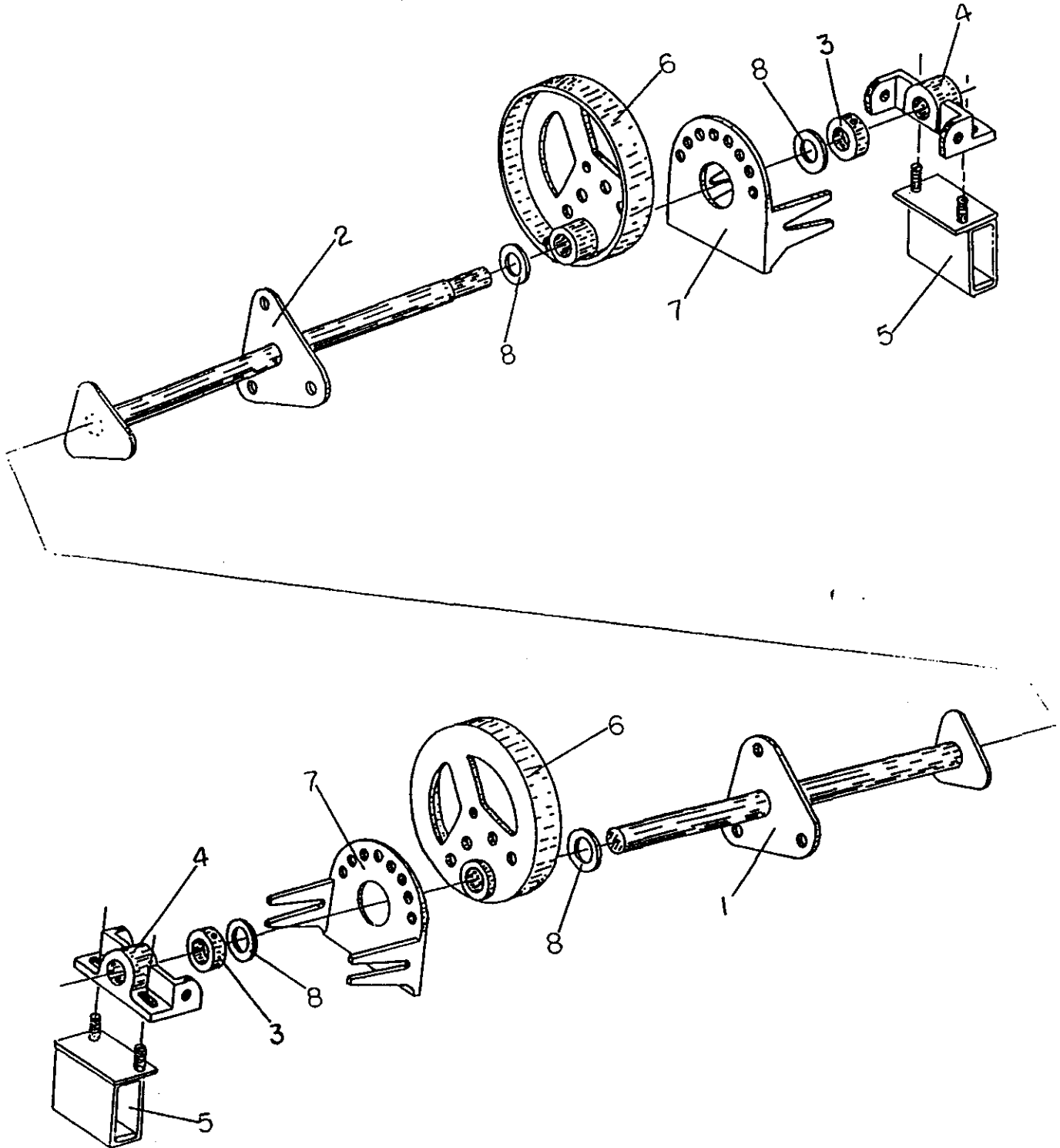
(NOTE: RH=RIGHT HAND, LH=LEFT HAND)

HEADER LENGTH, FEET	NUMBER BATS	REEL PACKAGE	SPIDER BUNDLE	DRIVE & ATTACHING KIT	DRIVE END RH OR LH
CASE/IH 4000 & 5000 SWATHER DRAPER HEADERS					
12-1/2	5	M5-138(--)	M5-5-41	DA8088	LH
	6	M6-138(--)	M6-5-41	DA8088	LH
14-1/2	5	M5-162(--)	M5-5-41	DA8088	LH
	6	M6-162(--)	M6-5-41	DA8088	LH
16-1/2	5	M5-185(--)	M5-6-41	DA8088	LH
	6	M6-185(--)	M6-6-41	DA8088	LH
19-1/2	5	M5-221(--)	M5-6-41	DA8088	LH
	6	M6-221(--)	M6-6-41	DA8088	LH
20-1/2	5	M5-233(--)	M5-6-41	DA8088	LH
	6	M6-233(--)	M6-6-41	DA8088	LH
24-1/2	5	M5-279(--)	M5-7-41	DA9013	LH
	6	M6-279(--)	M6-7-41	DA9013	LH

268R-8/94-JEL

SPECIFIC MODEL DRIVE AND ATTACHING PARTS

CASE/IH 4000 & 5000 SWATHER DRAPER HEADERS
DA8088 & DA9013



268R-8/94-JEL

SPECIFIC MODEL DRIVE AND ATTACHING PARTS

CASE/IH 4000 & 5000 SWATHER DRAPER HEADERS DA8088 & DA9013

KEY	PART NO.	DESCRIPTION
1	H3240 H60210	SHAFT, ECCENTRIC END, 6" DIA CENTER TUBE (1-5/16) SHAFT, ECCENTRIC END, 8" DIA CENTER TUBE (1-1/2)
2	H3295 H60214	SHAFT, DRIVE END, 6" DIA CENTER TUBE (1-1/2) SHAFT, DRIVE END, 8" DIA CENTER TUBE (1-1/2)
3	H3300 H3302	SET COLLAR, 1-5/16" SET COLLAR, 1-1/2"
4	H3317 H3382	BEARING, REEL SUPPORT 1-5/16" BEARING, REEL SUPPORT 1-1/2"
5	H3467	CARRIER ARM ADAPTER
6	H7020 H7035	ECCENTRIC, 1-5/16" (ECCENTRIC END ONLY DA8088) ECCENTRIC, 1-1/2"
7	H7021	PITCH CONTROL PLATE
8	X3D22515-2 X3D25013-2	MACHINE BUSHING 1-1/2" MACHINE BUSHING 1-3/8"

J.E. LOVE CO.

309 CALIFORNIA STREET
GARFIELD, WASHINGTON 99130-0188
(509)635-1321 FAX: (509)635-1434

SPECIFIC MODEL DRIVE AND ATTACHING PARTS JOHN DEERE 200 SERIES HEADERS DA8519, DA9501 & DA9751

(EQUIPPED W/JD FLATBAT REEL DRIVE COMPONENTS)

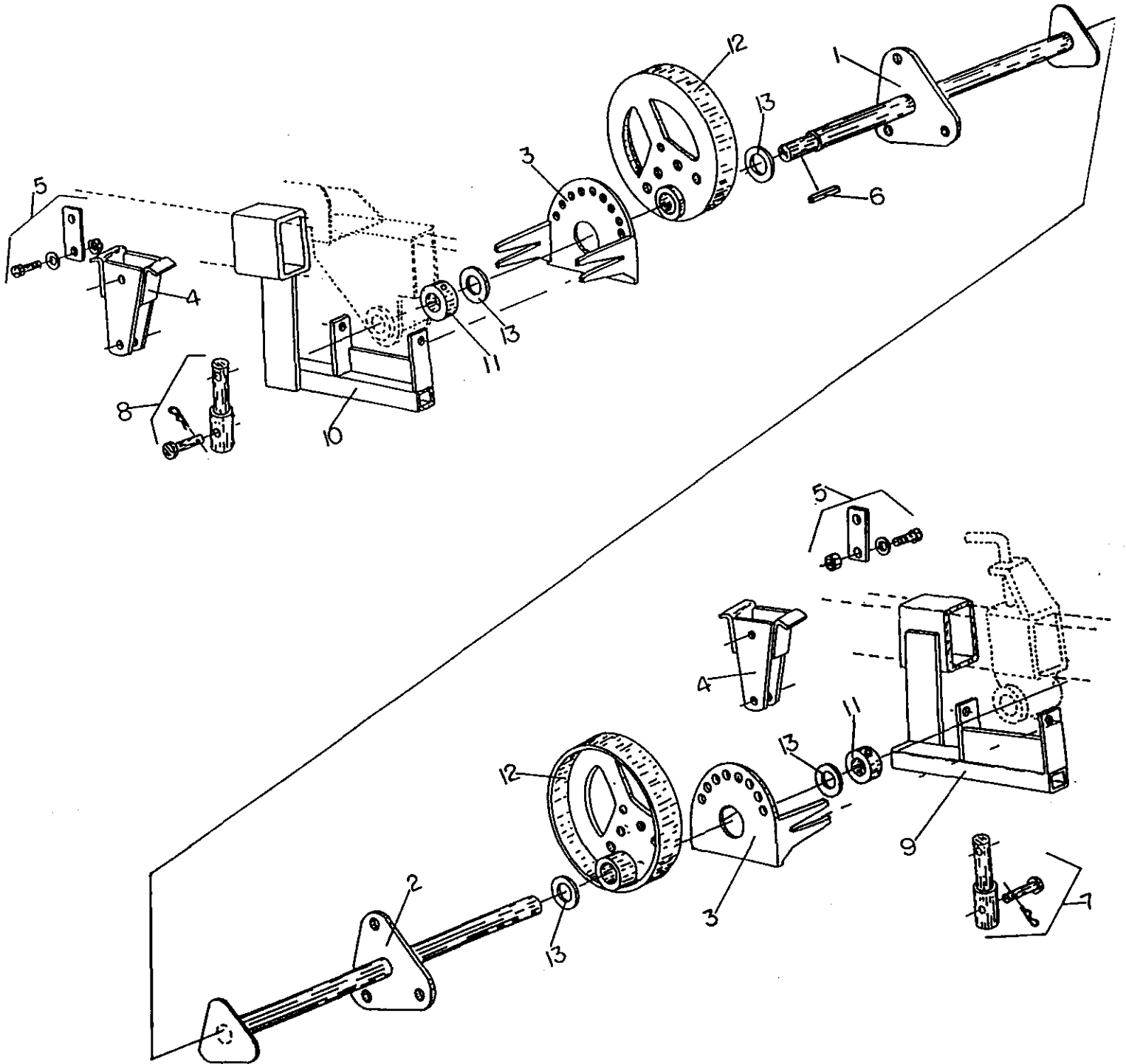
JOHN DEERE

(NOTE: RH=RIGHT HAND, LH=LEFT HAND)

HEADER LENGTH, FEET	NUMBER BATS	REEL PACKAGE	SPIDER BUNDLE	DRIVE & ATTACHING KIT	DRIVE END RH OR LH
13	5	M5-144(--)	M5-5-41	DA8519	RH
	6	M6-144(--)	M6-5-41	DA8519	RH
15	5	M5-167(--)	M5-6-41	DA8519	RH
	6	M6-167(--)	M6-6-41	DA8519	RH
16	5	M5-179(--)	M5-6-41	DA8519	RH
	6	M6-179(--)	M6-6-41	DA8519	RH
18	5	M5-203(--)	M5-6-41	DA8519	RH
	6	M6-203(--)	M6-6-41	DA8519	RH
20	5	M5-227(--)	M5-6-41	DA8519	RH
	6	M6-227(--)	M6-6-41	DA8519	RH
22	5	M5-252(--)	M5-7-41	DA9501	RH
	6	M6-252(--)	M6-7-41	DA9501	RH
24	5	M5-276(--)	M5-7-41	DA9501	RH
	6	M6-276(--)	M6-7-41	DA9501	RH
30	5	M5-348(--)	M5-7-41	DA9751	RH
	6	M6-348(--)	M6-7-41	DA9751	RH

200 SERIES HEADERS (EQUIPPED W/JD FLAT BAT REEL DRIVE COMPONENTS)
REQUIRE JOHN DEERE BUNDLES BH76873 & BH76690 TO COMPLETE MOUNTING.

SPECIFIC MODEL DRIVE AND ATTACHING PARTS
JOHN DEERE 200 SERIES HEADERS (EQUIPPED W/JD FLATBAT REEL DRIVE COMPONENTS)
DA8519, DA9501 & DA9751



SPECIFIC MODEL DRIVE AND ATTACHING PARTS
JOHN DEERE 200 SERIES HEADERS (EQUIPPED W/JD FLATBAT REEL DRIVE COMPONENTS)
DA8519, DA9501 & DA9751

KEY	PART NO.	DESCRIPTION
1	H437	SHAFT, DRIVE END 10" DIA. CENTER TUBE
	H3270	SHAFT, DRIVE END 6" DIA. CENTER TUBE
	H60207	SHAFT, DRIVE END 8" DIA. CENTER TUBE
2	H438	SHAFT, ECCENTRIC END 10" DIA. CENTER TUBE
	H3278	SHAFT, ECCENTRIC END 6" DIA. CENTER TUBE
	H60209	SHAFT, ECCENTRIC END 8" DIA. CENTER TUBE
3	H3250	PLATE, PITCH CONTROL
4	H3255	EXTENSION, LIFT CYLINDER (82 & LATER)
5	H3256	STRAP, LIFT CYLINDER
6	H3257	KEY, 3/8" X 2-1/4" SQ
7	H3276	EXTENSION, LIFT CYLINDER 1" DIA.
8	H3277	EXTENSION, LIFT CYLINDER 1-1/8" DIA.
9	H3298	BRACKET, PITCH CONTROL LH
10	H3299	BRACKET, PITCH CONTROL RH
11	H3301	SET COLLAR, 1-3/8"
12	H7034	ECCENTRIC, 1-3/8"
13	X3D25013-2	MACHINERY BUSHING, 1-3/8"

J.E. LOVE CO.

309 CALIFORNIA STREET
GARFIELD, WASHINGTON 99130-0188
(509)635-1321 FAX: (509)635-1434

SPECIFIC MODEL DRIVE AND ATTACHING PARTS JOHN DEERE 200 SERIES HEADERS DA8518, DA9503

(EQUIPPED W/JD PICKUP REEL DRIVE COMPONENTS)

JOHN DEERE

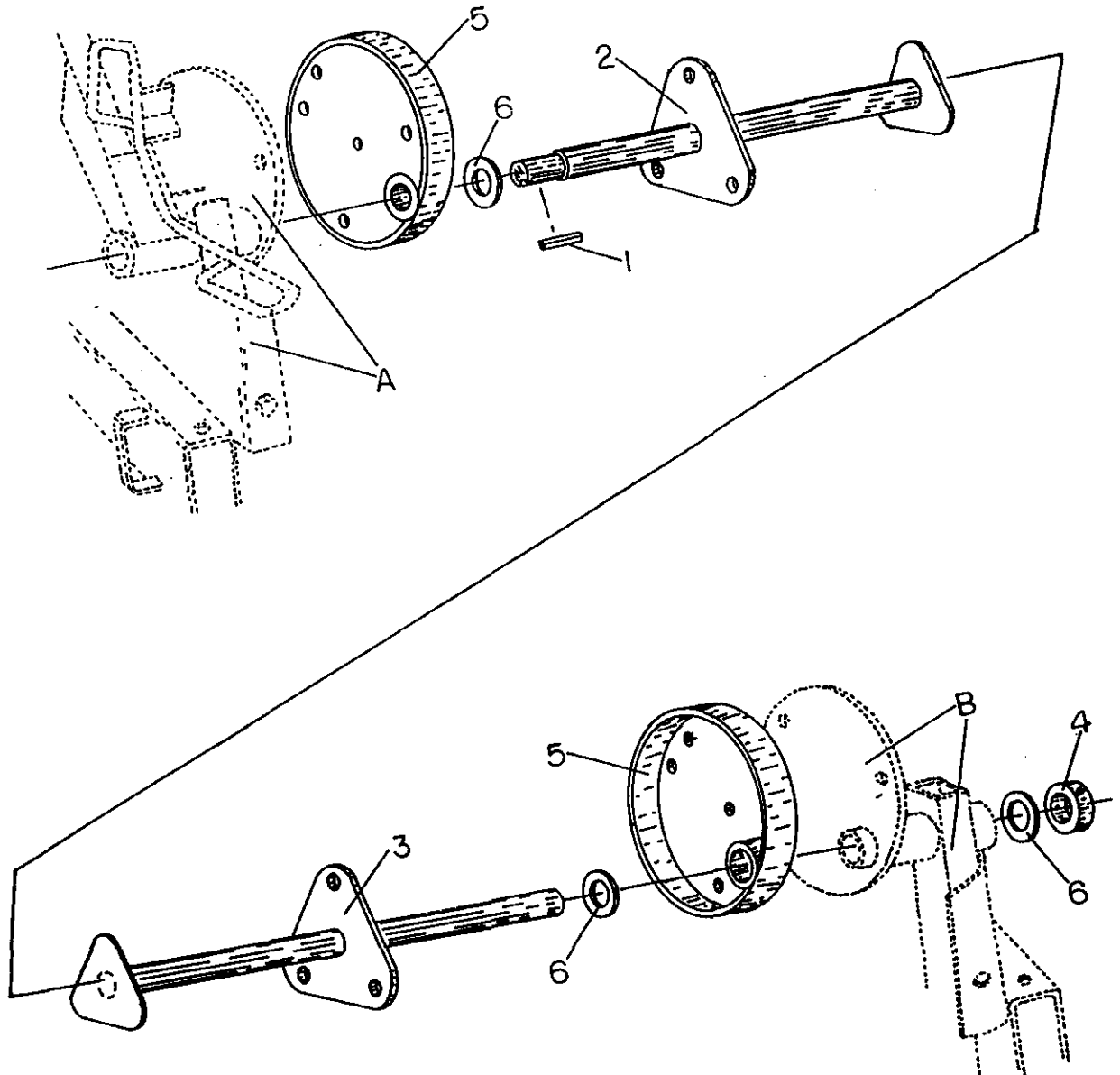
(NOTE: RH=RIGHT HAND, LH=LEFT HAND)

HEADER LENGTH, FEET	NUMBER BATS	REEL PACKAGE	SPIDER BUNDLE	DRIVE & ATTACHING KIT	DRIVE END RH OR LH
---------------------------	----------------	-----------------	------------------	--------------------------	-----------------------

200 SERIES HEADERS (EQUIPPED W/JOHN DEERE PICK-UP REEL DRIVE COMPONENTS)
REQUIRES JOHN DEERE BUNDLES BH76691, BH77559 & BH76689 TO COMPLETE MOUNTING.

15	5	M5-167(--)	M5-6-41	DA8518	RH
	6	M6-167(--)	M6-6-41	DA8518	RH
16	5	M5-179(--)	M5-6-41	DA8518	RH
	6	M6-179(--)	M6-6-41	DA8518	RH
18	5	M5-203(--)	M5-6-41	DA8518	RH
	6	M6-203(--)	M6-6-41	DA8518	RH
20	5	M5-227(--)	M5-6-41	DA8518	RH
	6	M6-227(--)	M6-6-41	DA8518	RH
22	5	M5-249(--)	M5-7-41	DA9503	RH
	6	M6-249(--)	M6-7-41	DA9503	RH
24	5	M5-273(--)	M5-7-41	DA9503	RH
	6	M6-273(--)	M6-7-41	DA9503	RH

SPECIFIC MODEL DRIVE AND ATTACHING PARTS
JOHN DEERE 200 SERIES HEADERS (EQUIPPED W/JD PICKUP REEL DRIVE COMPONENTS)
DA8518, DA9503



SPECIFIC MODEL DRIVE AND ATTACHING PARTS
JOHN DEERE 200 SERIES HEADERS (EQUIPPED W/JD PICKUP REEL DRIVE COMPONENTS)
DA8518, DA9503

KEY	PART NO.	DESCRIPTION
1	H3257	KEY, 3/8" X 2-1/4" SQ
2	H3268	SHAFT, DRIVE END 6" DIA. CENTER TUBE
	H60212	SHAFT, DRIVE END 8" DIA. CENTER TUBE
3	H3269	SHAFT, ECCENTRIC END 6" DIA. CENTER TUBE
	HH447	SHAFT, ECCENTRIC END 8" DIA. CENTER TUBE
4	H3399	SET COLLAR, 1-9/16"
5	H7039	ECCENTRIC, JD213 & 224 - 2.25 WIDE
	H7068	ECCENTRIC, JD222 - 3.25 WIDE
	H7069	ECCENTRIC, NARROW, JD215, 216, 218, & 220 - 1.90 WIDE
6	X3D25017-2	MACHINERY BUSHING, 1-3/4"

J.E. LOVE CO.

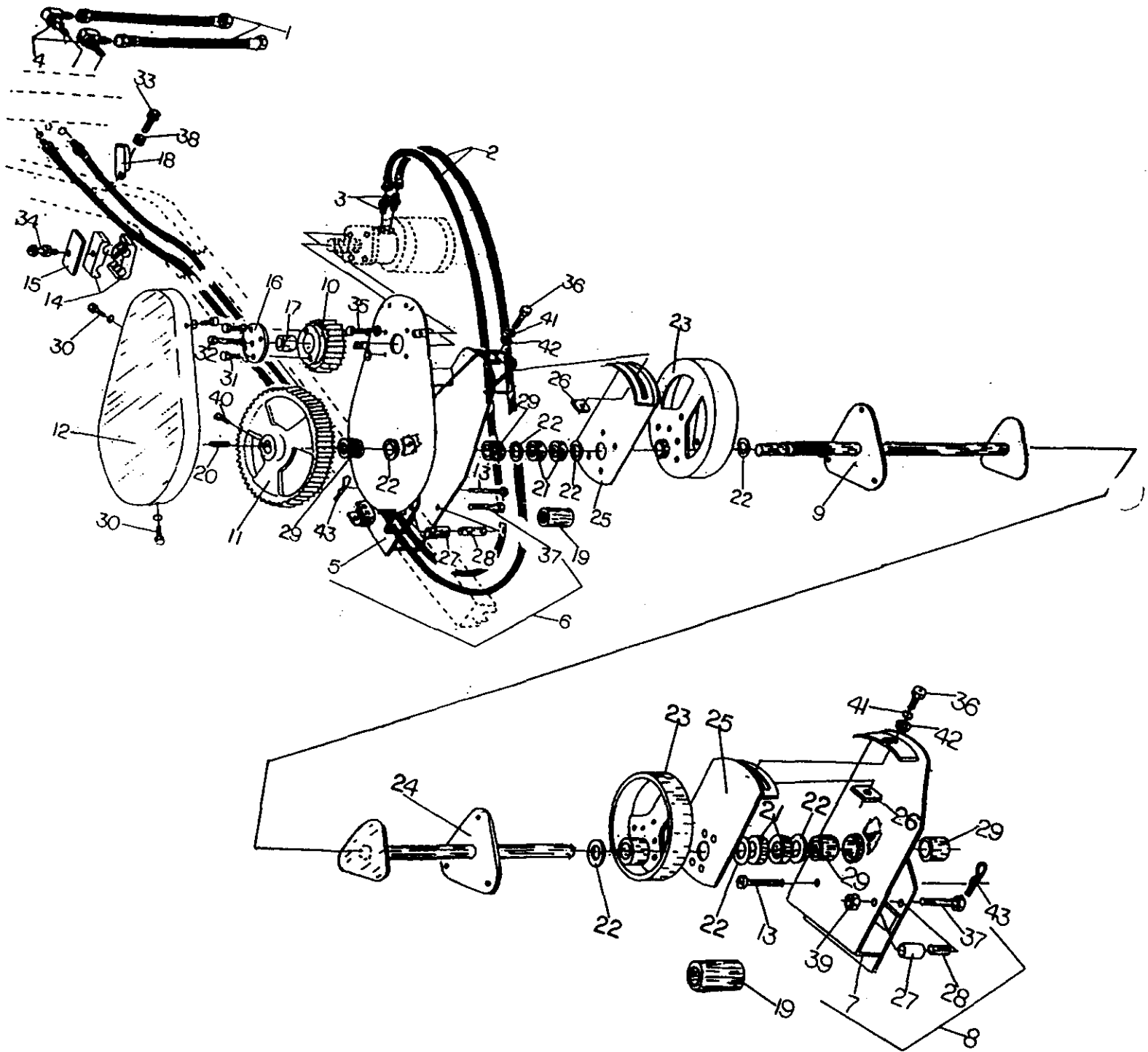
309 CALIFORNIA STREET
GARFIELD, WASHINGTON 99130-0188
(509)635-1321 FAX: (509)635-1434

SPECIFIC MODEL DRIVE AND ATTACHING PARTS JOHN DEERE 900 SERIES HEADERS, LOVE REEL SERIAL NO. G06059 & PRIOR DA8529, DA9516 & DA9759

(NOT EQUIPPED W/JOHN DEERE REEL DRIVE COMPONENTS)

HEADER LENGTH, FEET	NUMBER BATS	REEL PACKAGE	SPIDER BUNDLE	DRIVE & ATTACHING KIT	DRIVE END RH OR LH
13	5	M5-144(--)	M5-5-41	DA8529	RH
	6	M6-144(--)	M6-5-41	DA8529	RH
15	5	M5-167(--)	M5-6-41	DA8529	RH
	6	M6-167(--)	M6-6-41	DA8529	RH
18	5	M5-203(--)	M5-6-41	DA8529	RH
	6	M6-203(--)	M6-6-41	DA8529	RH
20	5	M5-227(--)	M5-6-41	DA8529	RH
	6	M6-227(--)	M6-6-41	DA8529	RH
22	5	M5-252(--)	M5-7-41	DA9516	RH
	6	M6-252(--)	M6-7-41	DA9516	RH
24	5	M5-276(--)	M5-7-41	DA9516	RH
	6	M6-276(--)	M6-7-41	DA9516	RH
25	5	M5-294(--)	M5-7-41	DA9516	RH
	6	M6-294(--)	M6-7-41	DA9516	RH
30	5	M5-348(--)	M5-7-41	DA9759	RH
	6	M6-348(--)	M6-7-41	DA9759	RH

SPECIFIC MODEL DRIVE AND ATTACHING PARTS
JOHN DEERE 900 SERIES HEADERS, LOVE REEL SERIAL NO. G06059 & PRIOR
DA8529, DA9516 & DA9759
(NOT EQUIPPED W/JOHN DEERE REEL DRIVE COMPONENTS)



SPECIFIC MODEL DRIVE AND ATTACHING PARTS
JOHN DEERE 900 SERIES HEADERS. LOVE SERIAL NO. G06059 & PRIOR
DA8529, DA9516, DA9759

KEY	PART NO.	DESCRIPTION
1	F1555	HOSE ASSEMBLY, 1/2" X 22" (HILLSIDE ONLY)
2	F1600	HOSE ASSEMBLY, 1/2" X 101"
3	F1601	CONNECTOR, STD THD, 5/8" 37° TUBE X #10 ORB SAE
4	F1756	BULKHEAD UNION ELBOW, W/NUT, 1/2" 37° JIC ENDS (HILLSIDE ONLY)
5	H245	REEL SUPPORT ASSEMBLY, RH
6	H246	REEL SUPPORT, RH
7	H247	REEL SUPPORT ASSEMBLY, LH
8	H248	REEL SUPPORT, LH
9	H249	SHAFT DRIVE END 8" DIA. CENTER TUBE
	H264	SHAFT DRIVE END 6" DIA. CENTER TUBE
	H267	SHAFT DRIVE END 10" DIA. CENTER TUBE
10	H250	GEAR, PINION
11	H251	GEAR, SPUR
12	H252	SHIELD
13	H253	PIN, CLEVIS 3/8" X 3" PLATED
14	H254	CLAMP, 7/8 PAIR (2 PCS)
15	H255	PLATE, SAFETY
16	H256	PLATE, PINION
17	H257	BUSHING, PINION
18	H258	CLAMP, TUBE 2 OF 7/8
19	H484	SPACER, (MAY BE USED IN PLACE OF H3399 SET COLLARS)
20	H3257	KEY, 3/8" X 2-1/4" SQUARE
21	H3399	SET COLLAR, 1-9/16"
22	H7016	THRUSTWASHER - 1-3/4"
23	H7061	ECCENTRIC, 1-9/16"
24	HH446	SHAFT, ECCENTRIC END, 6" DIA. CENTER TUBE
	HH447	SHAFT, ECCENTRIC END, 8" DIA. CENTER TUBE
	HH448	SHAFT, ECCENTRIC END, 10" DIA. CENTER TUBE
25	HH458	PITCH CONTROL PLATE
26	HH459	LOCK BLOCK
27	HH470	ROLLER, REEL SUPPORT
28	HH471	SPACER, REEL SUPPORT
29	HH1506	BUSHING, 1-9/16"
30	X2A0310050	CAPSCREW, 5/16"-18 UNC X 1/2"
31	X2A0310075	CAPSCREW, 5/16"-18 UNC X 3/4"
32	X2A0310175	CAPSCREW, 5/16"-18 UNC X 1-3/4"
33	X2A0310200	CAPSCREW, 5/16"-18 UNC X 2"
34	X2A0310400	CAPSCREW, 5/16"-18 UNC X 4"
35	X2A0370100	CAPSCREW, 3/8"-16 UNC X 1"
36	X2A0500150	CAPSCREW, 1/2"-13 UNC X 1-1/2"
37	X2A0500325	CAPSCREW, 1/2"-13 UNC X 3-1/4"
38	X2E031-SF2	NUT, 5/16"-18 UNC SMALL FLANGE SIDE LOCK
39	X2E050-NF2	NUT, 1/2"-13 UNC NO FLANGE SIDELOCK
40	X2F037100	SETSCREW, SQUARE HEAD PLATED, 3/8"-16 UNC X 1"
41	X3B050	LOCKWASHER, 1/2"
42	X3C050	FLATWASHER, 1/2"
43	S11004	HAIR PIN CLIP

J.E. LOVE CO.

309 CALIFORNIA STREET
GARFIELD, WASHINGTON 99130-0188
(509)635-1321 FAX: (509)635-1434

SPECIFIC MODEL DRIVE AND ATTACHING PARTS

JOHN DEERE 900 SERIES HEADERS. LOVE SERIAL NO. G06060 & LATER

DA8531, DA8533, DA8534
DA9521, DA9522, DA9524, DA9520, DA9523, DA9525
DA9762, DA9763 & DA9765

NOTE: 900 SERIES HEADERS DRIVE AND ATTACHING KITS ARE AVAILABLE IN 3 VARIATIONS.

COLUMN A: Not equipped w/John Deere Reel Drive Components.
COLUMN B: Equipped w/John Deere Flatbat Drive Components.
COLUMN C: Equipped w/John Deere Pickup Reel Drive Components.

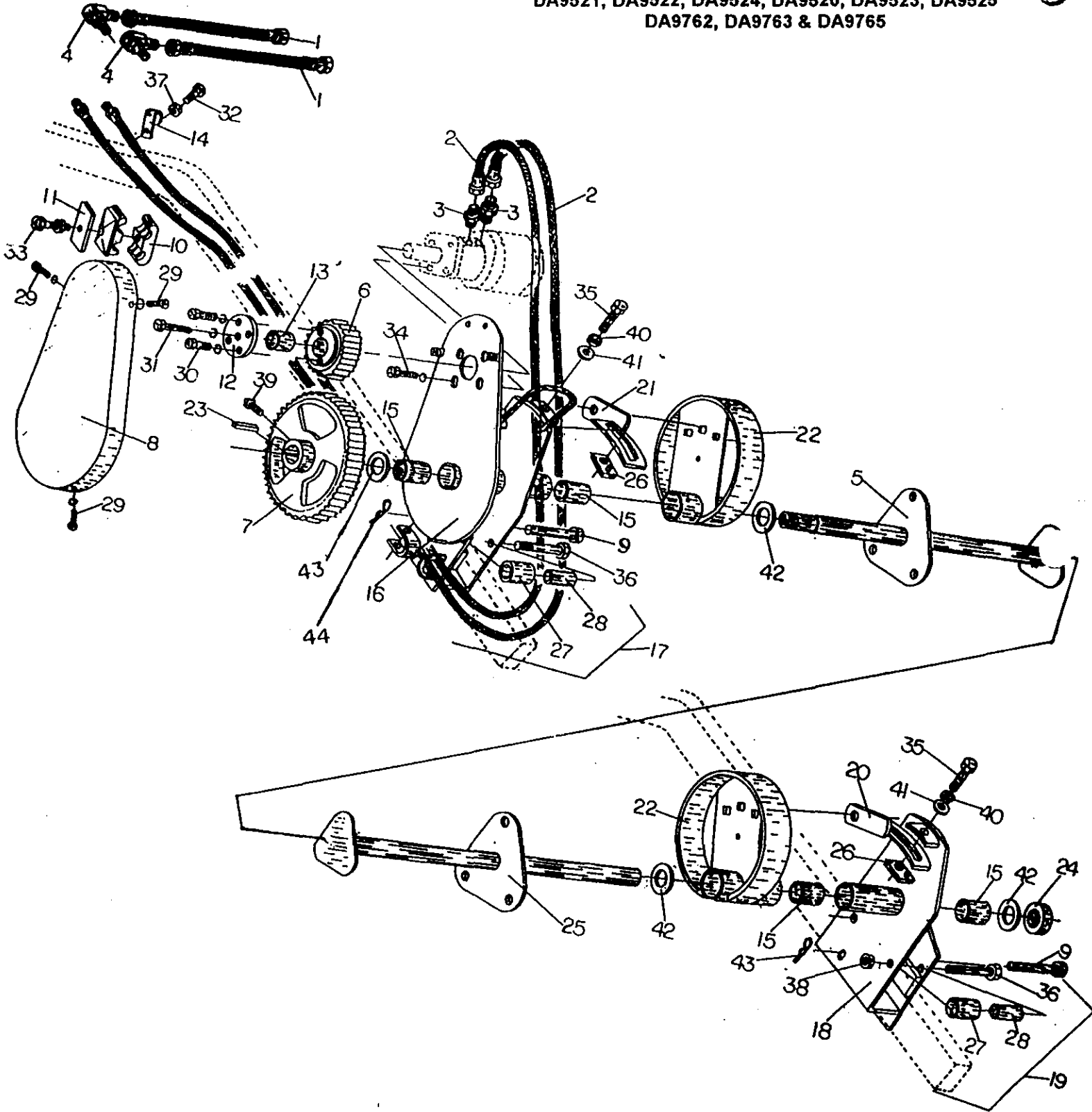
HEADER LENGTH, FEET	NUMBER BATS	REEL PACKAGE	SPIDER BUNDLE	DRIVE & ATTACHING KIT			DRIVE END RH OR LH
				A	B	C	
13	5	M5-144(--)	M5-5-41	DA8531	DA8533	DA8534	RH
	6	M6-144(--)	M6-5-41	DA8531	DA8533	DA8534	RH
15	5	M5-167(--)	M5-6-41	DA8531	DA8533	DA8534	RH
	6	M6-167(--)	M6-6-41	DA8531	DA8533	DA8534	RH
18	5	M5-203(--)	M5-6-41	DA8531	DA8533	DA8534	RH
	6	M6-203(--)	M6-6-41	DA8531	DA8533	DA8534	RH
20	5	M5-227(--)	M5-6-41	DA8531	DA8533	DA8534	RH
	6	M6-227(--)	M6-6-41	DA8531	DA8533	DA8534	RH
22	5	M5-252(--)	M5-7-41	DA9521	DA9522	DA9524	RH
	6	M6-252(--)	M6-7-41	DA9521	DA9522	DA9524	RH
24	5	M5-276(--)	M5-7-41	DA9521	DA9522	DA9524	RH
	6	M6-276(--)	M6-7-41	DA9521	DA9522	DA9524	RH
25	5	M5-294(--)	M5-7-41	DA9520	DA9523	DA9525	RH
	6	M6-294(--)	M6-7-41	DA9520	DA9523	DA9525	RH
30	5	M5-348(--)	M5-7-41	DA9762	DA9763	DA9765	RH
	6	M6-348(--)	M6-7-41	DA9762	DA9763	DA9765	RH

FOR REPAIR PARTS ON DRIVE & ATTACHING KITS LISTED IN COLUMN A WITH LOVE REEL SERIAL NO. G06059 & PRIOR, THE FOLLOWING DA KIT NUMBERS SHOULD BE REQUESTED. 13'-20': DA8529, 22'-25': DA9516 AND 30': DA9759.

SPECIFIC MODEL DRIVE AND ATTACHING PARTS

JOHN DEERE 900 SERIES HEADERS. LOVE SERIAL NO. G06060 & LATER

DA8531, DA8533, DA8534
DA9521, DA9522, DA9524, DA9520, DA9523, DA9525
DA9762, DA9763 & DA9765



SPECIFIC MODEL DRIVE AND ATTACHING PARTS
JOHN DEERE 900 SERIES HEADERS. LOVE SERIAL NO. G06060 & LATER

DA8531, DA8533, DA8534
 DA9521, DA9522, DA9524, DA9520, DA9523, DA9525
 DA9762, DA9763 & DA9765

KEY	PART NO.	DESCRIPTION
1	F1555	HOSE ASSEMBLY, 1/2" X 22"
2	F1600	HOSE ASSEMBLY, 1/2" X 101"
3	F1601	CONNECTOR, STD THD, 5/8" 37 TUBE X #10 ORB SAE
4	F1756	BULKHEAD UNION ELBOW, W/NUT, 1/2" 37 JIC ENDS
5	H249	SHAFT, DRIVE END 8" DIA. CENTER TUBE - 922 & 924
	H267	SHAFT, DRIVE END 10" DIA. CENTER TUBE
	H264	SHAFT, DRIVE END 6" DIA. CENTER TUBE
	H639	SHAFT, DRIVE END 8" DIA. CENTER TUBE - 925 ONLY
6	H250	GEAR, PINION
7	H251	GEAR, SPUR
8	H252	SHIELD
9	H253	PIN, CLEVIS 3/8" X 3" PLATED
10	H254	CLAMP, 7/8 PAIR (2 PCS)
11	H255	PLATE, SAFETY
12	H256	PLATE, PINION
13	H257	BUSHING, PINION
14	H258	CLAMP, TUBE 2 OF 7/8
15	H272	BEARING, BRONZE
16	H281	REEL SUPPORT - RH JD922, 924 & 930
	H285	REEL SUPPORT - RH JD913, 915, 918, & 920
	H289	REEL SUPPORT - RH JD925
17	H282	REEL SUPPORT ASSEMBLY, RH JD922, 924, & 930
	H286	REEL SUPPORT ASSEMBLY, RH JD913, 915, 918 & 920
	H290	REEL SUPPORT ASSEMBLY, RH JD925
18	H283	REEL SUPPORT - LH JD922, 924, & 930
	H287	REEL SUPPORT - LH JD913, 915, 918, & 920
	H291	REEL SUPPORT - LH JD925
19	H284	REEL SUPPORT ASSEMBLY, LH JD922, 924, 930
	H288	REEL SUPPORT ASSEMBLY, LH JD913, 915, 918 & 920
	H292	REEL SUPPORT ASSEMBLY, LH JD925
20	H489	ARM, PITCH CONTROL - LH
21	H490	ARM, PITCH CONTROL - RH
22	H491	ECCENTRIC (EXCEPT 925)
	H499	ECCENTRIC, JD 925
23	H3257	KEY, 3/8" X 2-1/4" SQUARE
24	H3399	SET COLLAR, 1-9/16"
25	HH446	SHAFT, ECCENTRIC END, 6" DIA. CENTER TUBE
	HH447	SHAFT, ECCENTRIC END, 8" DIA. CENTER TUBE
	HH448	SHAFT, ECCENTRIC END, 10" DIA. CENTER TUBE
26	HH459	LOCK BLOCK
27	HH470	ROLLER, REEL SUPPORT
28	HH471	SPACER, REEL SUPPORT
29	X2A0310050	CAPSCREW, 5/16"-18 UNC X 1/2"
30	X2A0310075	CAPSCREW, 5/16"-18 UNC X 3/4"
31	X2A0310175	CAPSCREW, 5/16"-18 UNC X 1-3/4"
32	X2A0310200	CAPSCREW, 5/16"-18 UNC X 2"
33	X2A0310400	CAPSCREW, 5/16"-18 UNC X 4"
34	X2A0370100	CAPSCREW, 3/8"-16 UNC X 1"
35	X2A0500150	CAPSCREW, 1/2"-13 UNC X 1-1/2"
36	X2A0500325	CAPSCREW, 1/2"-13 UNC X 3-1/4"
37	X2E031-SF2	NUT, 5/16"-18 UNC SMALL FLANGE SIDE LOCK
38	X2E050-NF2	NUT, 1/2"-13 UNC NO FLANGE SIDELOCK
39	X2F037100	SETSCREW, SQUARE HEAD PLATED, 3/8"-16 UNC X 1"
40	X3B050	LOCKWASHER, 1/2"
41	X3C050	FLATWASHER, 1/2"
42	X3D237016-2	MACHINE BUSHING, 1-5/8" ID
43	X3D25013-2	MACHINE BUSHING, 1-3/8" ID
44	S11004	HAIR PIN CLIP



SAFETY INTRODUCTION

THE SAFETY-ALERT SYMBOL MEANS ATTENTION! BECOME ALERT! YOUR SAFETY IS INVOLVED! THIS SYMBOL IDENTIFIES IMPORTANT SAFETY MESSAGES IN THIS MANUAL. WHEN YOU SEE THIS SYMBOL, BE ALERT TO THE POSSIBILITY OF PERSONAL INJURY AND CAREFULLY READ THE MESSAGE THAT FOLLOWS.



DANGER

ROTATING SHAFTS CAN CAUSE DEATH OR SEVERE INJURY.
- KEEP CLEAR - DO NOT OPERATE WITHOUT SHIELDS IN PLACE.



CAUTION

BLOCK SECURELY

DO NOT PLACE YOURSELF UNDER ANY EQUIPMENT SUSPENDED HYDRAULICALLY, WITH MECHANICAL STOPS, JACKS OR HOISTS, WITHOUT BLOCKING SECURELY. MAKE SURE MACHINE CANNOT ROLL.



CAUTION

BEFORE POWER STARTING - CHECK TO INSURE THAT ALL BOLTS ARE PROPERLY TIGHTENED AND REEL IS FREE TO ROTATE. KEEP ALL PARTS OF BODY, CLOTHING AND ALL PERSONNEL CLEAR.



CAUTION

DO NOT SERVICE EQUIPMENT WHILE IT IS RUNNING. SHUT OFF POWER TO ADJUST, SERVICE OR CLEAN.

J.E LOVE CO.

309 CALIFORNIA STREET
GARFIELD, WASHINGTON 99130-0188
(509)635-1321 FAX:(509)635-1434

SPECIFIC MODEL DRIVE AND ATTACHING PARTS FORD NEW HOLLAND 971 HEADER DA9517

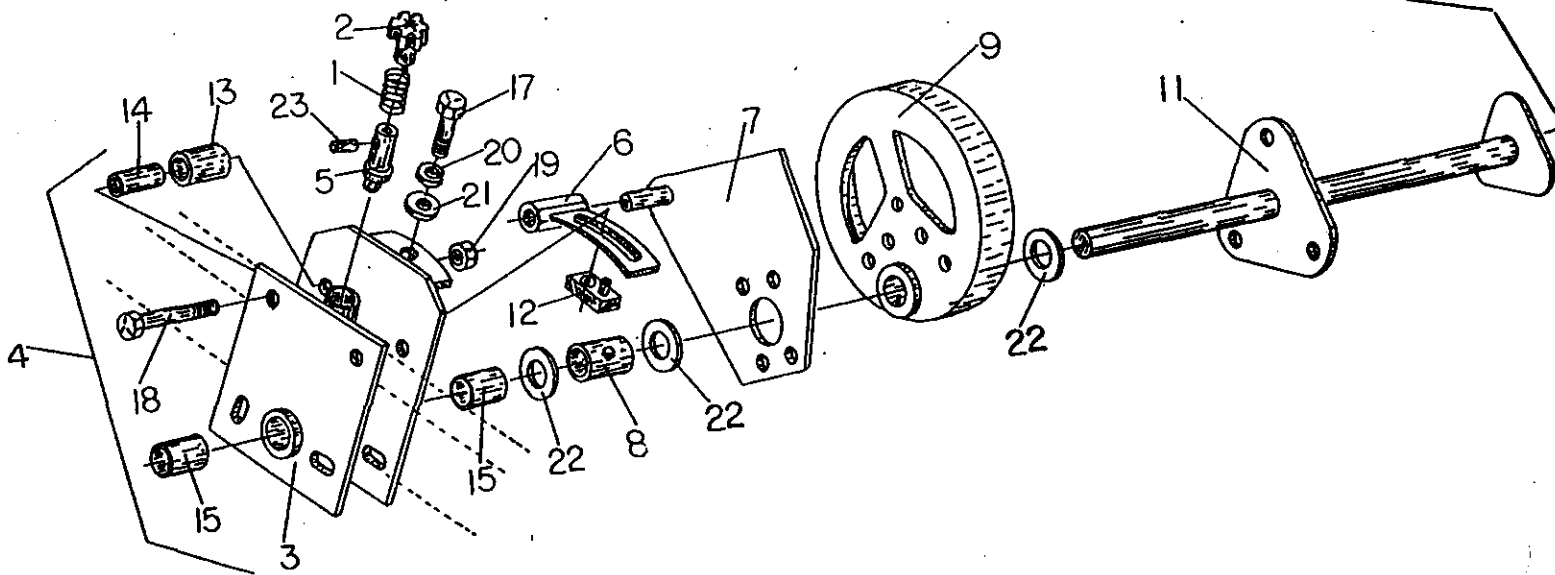
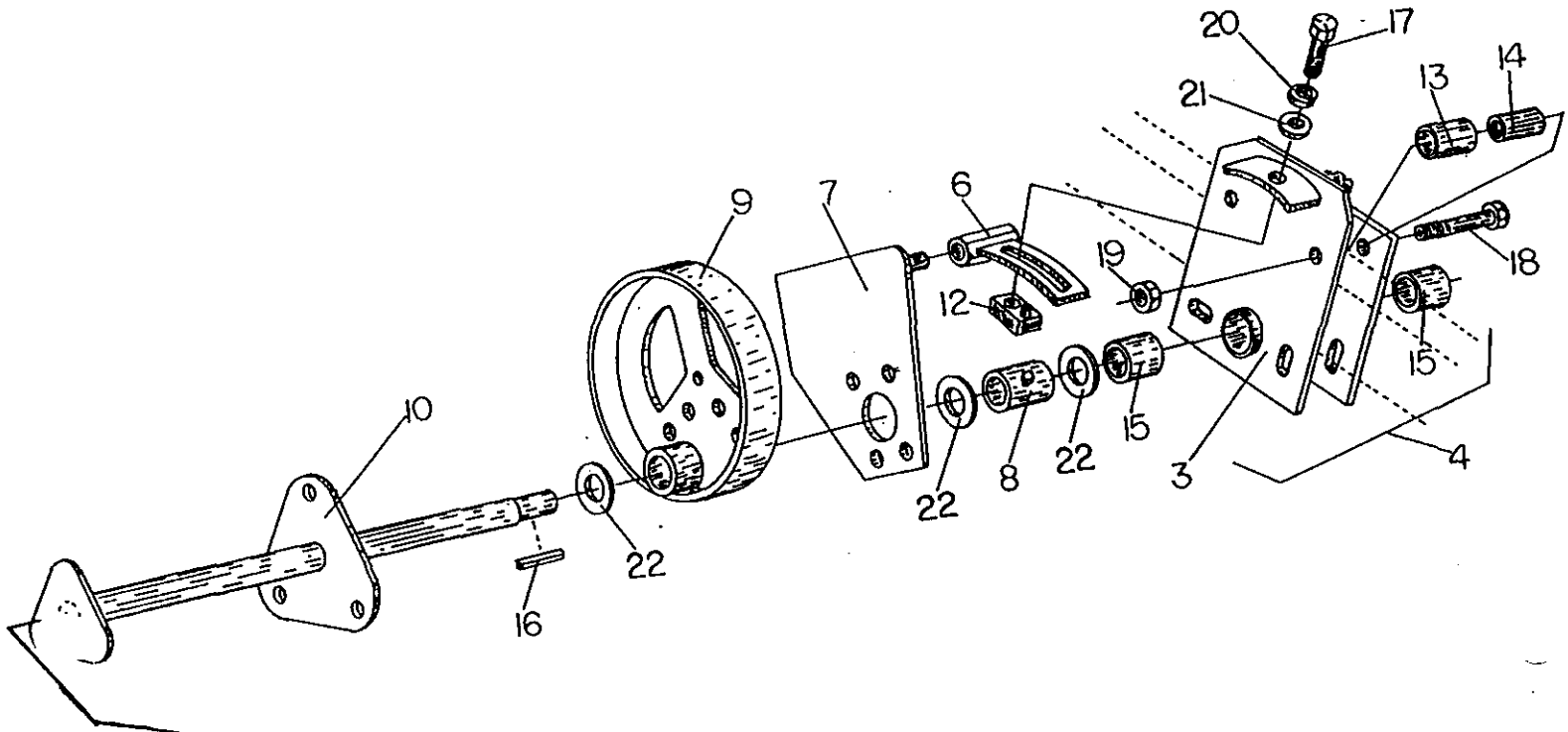
(NOTE: RH=RIGHTHAND, LH=LEFTHAND)

HEADER LENGTH, FEET	NUMBER BATS	REEL PACKAGE	SPIDER BUNDLE	DRIVE & ATTACHING KIT	DRIVE END RH OR LH	
		NEW HOLLAND 971 HEADER				
24'	5	M5-276(--)	M5-7-41	DA9517	LH	
	6	M6-276(--)	M6-7-41	DA9517	LH	
25'	5	M5-291(--)	M5-7-41	DA9517	LH	
	6	M6-291(--)	M6-7-41	DA9517	LH	

263R-6/94-JEL

SPECIFIC MODEL DRIVE AND ATTACHING PARTS

FORD NEW HOLLAND 971 HEADER
DA9517



263R-6/94-JEL

SPECIFIC MODEL DRIVE AND ATTACHING PARTS

FORD NEW HOLLAND 971 HEADER DA9517

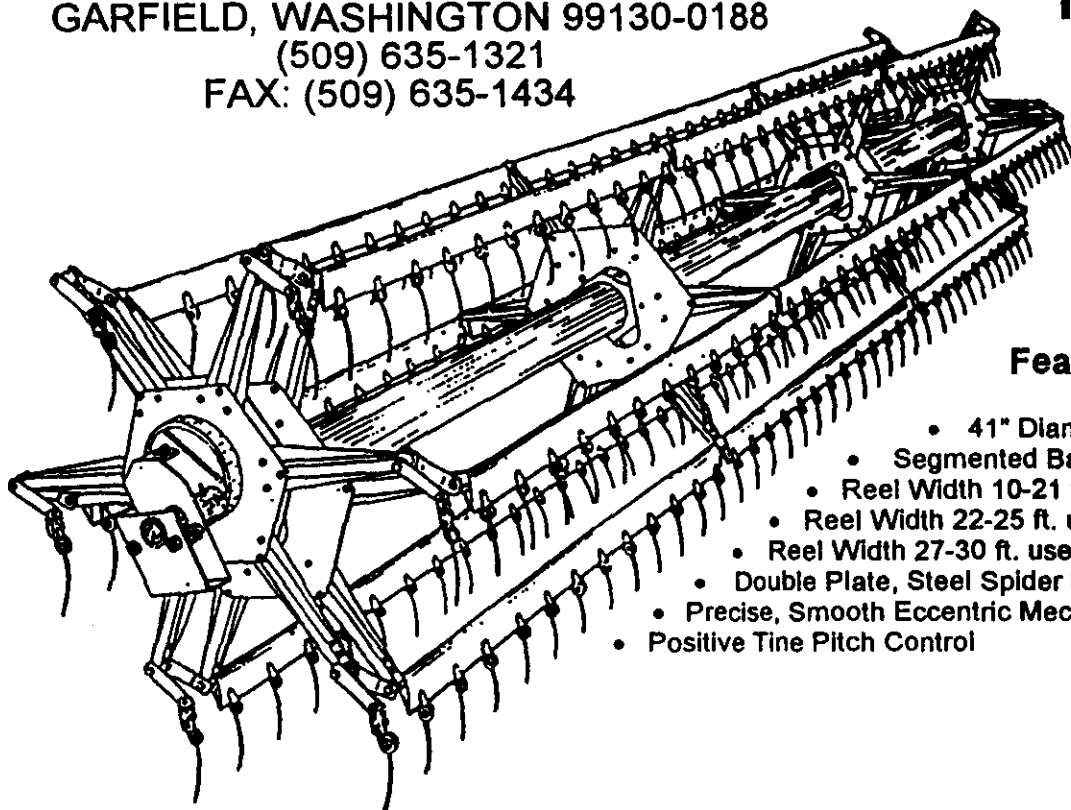
KEY	PART NO.	DESCRIPTION
1	H465	SPRING
2	H466	KNOB
3	H479	BRACKET, REEL SUPPORT LH & RH
4	H480	ASSEMBLY, REEL SUPPORT LH & RH
5	H481	LATCH PIN
6	H482	ARM, PITCH CONTROL
7	H483	PLATE, PITCH CONTROL
8	H484	SPACER
9	H7061	ECCENTRIC, 1-9/16"
10	H60222	SHAFT, DRIVE END 8" DIA CENTER TUBE
11	HH447	SHAFT, ECCENTRIC END 8" DIA CENTER TUBE
12	HH459	LOCK BLOCK
13	HH470	ROLLER, REEL SUPPORT
14	HH471	SPACER, REEL SUPPORT
15	HH1506	BUSHING, 1-9/16"
16	R14290	KEY, 5/16" X 2" SQUARE
17	X2A0500150	CAPSCREW, 1/2"-13 UNC X 1-1/2"
18	X2A0500325	CAPSCREW, 1/2"-13 UNC X 3-1/4"
19	X2E050-NF2	NUT, 1/2"-13 UNC NO FLANGE SIDE LOCK
20	X3B050	LOCK WASHER, 1/2"
21	X3C050	FLAT WASHER, 1/2"
22	X3D237016-2	MACHINERY BUSHING, 1-5/8" ID
23	X3G188-150	SPRING PIN

F.O.B.

J.E. LOVE CO.

GARFIELD, WASHINGTON 99130-0188
 (509) 635-1321
 FAX: (509) 635-1434

MODELS
**M-76/N &
 M-76/W**



**Standard
 Features Included:**

- 41" Diameter
- Segmented Batshaft Assemblies
- Reel Width 10-21 ft. use 6" Centertube
- Reel Width 22-25 ft. use 8" Centertube
- Reel Width 27-30 ft. use 10" Centertube
- Double Plate, Steel Spider Hub Assemblies
- Precise, Smooth Eccentric Mechanism
- Positive Tine Pitch Control

REEL MODELS / BAT TYPES / TINE CHOICES

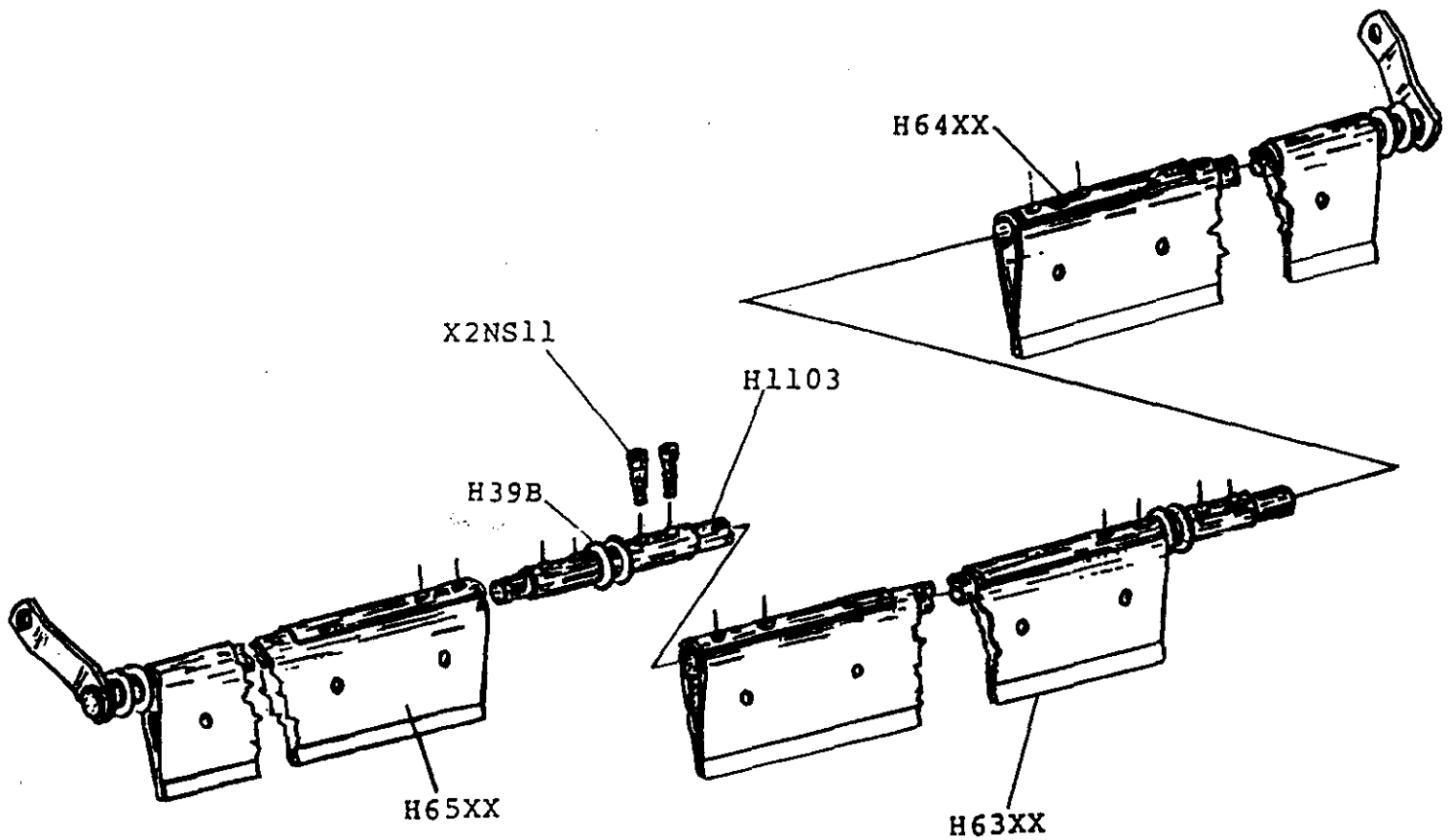
Model	Type of Bat	Tine Choice	Tine Description	Tine Spacing
M-76/N	Inverted	'N'	Molded, Polymer, 8" Curved	4"
	Tear-Shaped.....			
M-76/W	Steel	'W4'	Coiled, Steel, 4" Curved	4"
	Inverted	'W6'	Coiled, Steel, 6" Curved	4"
	Tear-Shaped.....	'W8'	Coiled, Steel, 8" Curved	4"
	Steel			

When ordering, specify combine or swather make, model, year, header model and width.
 Then select your model of LOVEREEL by its corresponding choice of tine.

J. E. LOVE COMPANY
P. O. BOX 188 - 309 CALIFORNIA STREET
GARFIELD, WASHINGTON 99130
(509) 635-1321 PHONE
(509) 635-1434 FAX

LOVE[®]

LOVE SECTIONAL BATSHAFT ASSEMBLIES



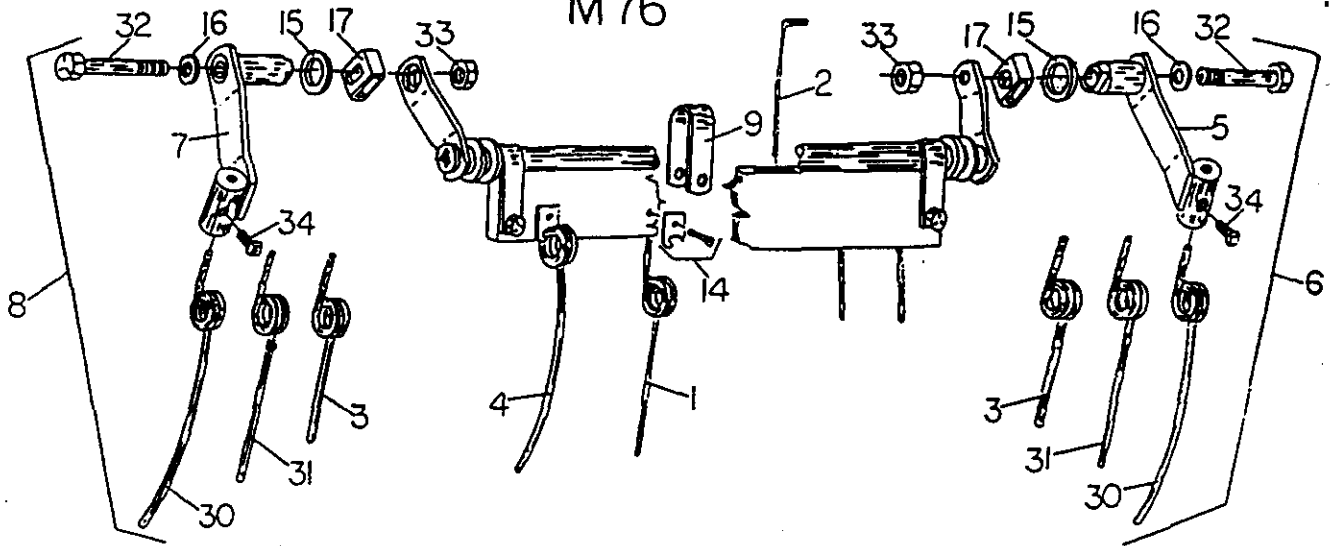
NOTE: "XX" EQUALS BAT LENGTH IN INCHES.

USE THIS INFORMATION WITH COMMON PARTS LISTINGS:

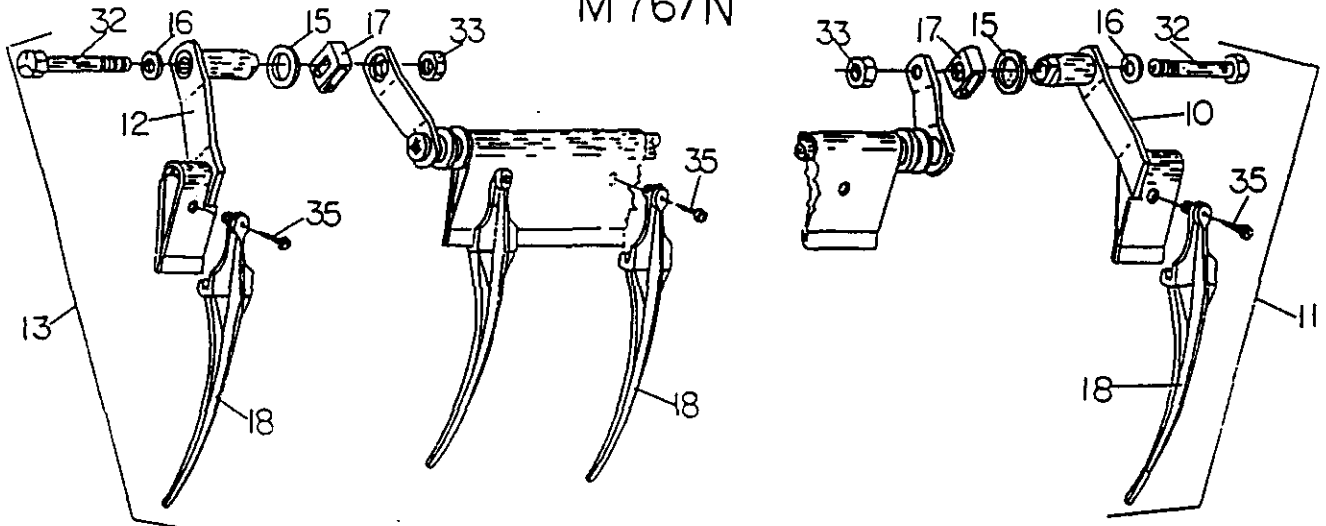
- 6" CENTER TUBES, 187R-
- 8" CENTER TUBES, 189R-
- 10" CENTER TUBES, 200R-

TINES AND OUTBOARD FINGERS

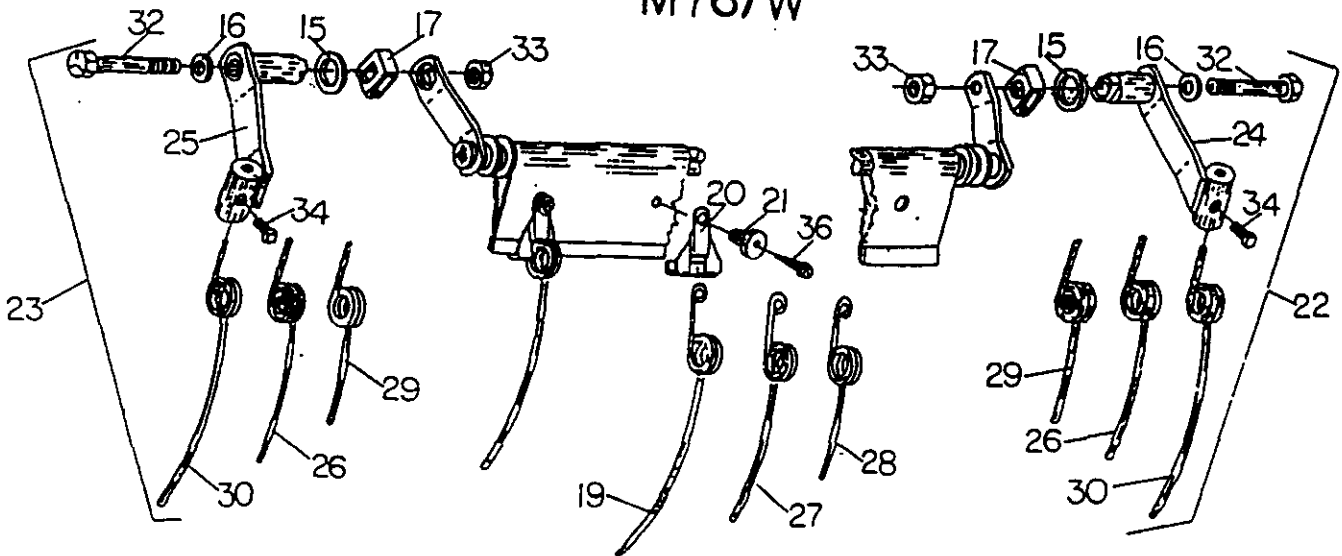
M76



M76/N



M76/W



TINES AND OUTBOARD FINGERS

<u>KEY</u>	<u>PART NUMBER</u>	<u>DESCRIPTION</u>
1	HA	A TINE, 6" STRAIGHT
2	HF	F TINE, 4" SPIKE
3	HG	OUTBOARD FINGER TINE FOR F TINE REEL
4	HM	M TINE, 8" CURVED
5	H13	OUTBOARD FINGER BRACKET, LH
6	H13A	OUTBOARD FINGER ASSEMBLY, LH W/H3479
	H13G	OUTBOARD FINGER ASSEMBLY, LH W/HG TINE
	H13M	OUTBOARD FINGER ASSEMBLY, LH W/H3476 TINE
7	H14	OUTBOARD FINGER BRACKET, RH
8	H14A	OUTBOARD FINGER ASSEMBLY, RH W/3479 TINE
	H14G	OUTBOARD FINGER ASSEMBLY, RH W/HG TINE
	H14M	OUTBOARD FINGER ASSEMBLY, RH W/H3476 TINE
9	H19A	BATSHAFT CLIP
10	H31	OUTBOARD FINGER BRACKET, LH
11	H31N	OUTBOARD FINGER ASSEMBLY, LH W/H3411 TINE
12	H32	OUTBOARD FINGER BRACKET, RH
13	H32N	OUTBOARD FINGER ASSEMBLY, RH W/H3411 TINE
14	H34	TINE CLIP W/RIVET
15	X3D13790-3	MACHINERY BUSHING (H39B)
16	H293	WASHER, HEAVY DUTY
17	H390	POSITION CLIP, OUTBOARD FINGER
18	H3411	COMPOSITE TINE ASSEMBLY. (N TINE)
	H3452	PACKAGE OF 10 H3411 TINES
19	H3433	TINE, METAL ON METAL BAT, 8"
20	H3434	CLIP FOR H3433, H3460 & H3461 TINES
21	H3454	BUTTON, STEEL TINE RETAINER
22	H3455	OUTBOARD FINGER ASSEMBLY, LH W/H3459 TINES
	H3462	OUTBOARD FINGER ASSEMBLY, LH W/H3464 TINE
	H3465	OUTBOARD FINGER ASSEMBLY, LH W/H3476 TINE
23	H3456	OUTBOARD FINGER ASSEMBLY, RH W/H3459 TINE
	H3463	OUTBOARD FINGER ASSEMBLY, RH W/H3464 TINE
	H3466	OUTBOARD FINGER ASSEMBLY, RH W/H3476 TINE
24	H3457	OUTBOARD FINGER BRACKET, LH
25	H3458	OUTBOARD FINGER BRACKET, RH
26	H3459	OUTBOARD FINGER TINE, 6"
27	H3460	TINE, METAL ON METAL BAT, 6"
28	H3461	TINE, METAL ON METAL BAT, 4"
29	H3464	OUTBOARD FINGER TINE, 4"
30	H3476	OUTBOARD FINGER TINE, 8"
31	H3479	OUTBOARD FINGER TINE, HA
32	X2A0430250	CAP SCREW, 7/16- 14 UNC X 2-1/2"
33	X2E043-NF2	7/16 X 14 UNC SIDE LOCK NUT
34	X2F037050	SET SCREW
35	X2K0060062	SCREW, SELF TAP X 5/8"
36	X2K0060100	SCREW, SELF TAP X 1"